



# REEFLITE

THE LIGHTING TECHNOLOGY PROFESSIONALS

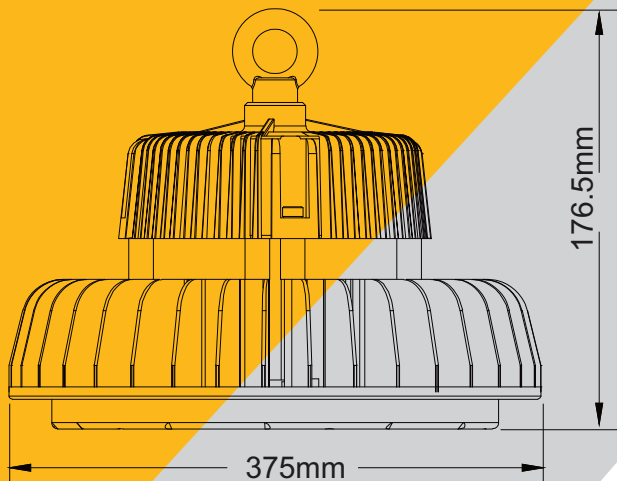
MANUFACTURERS OF: Commercial , Industrial , Residential lighting solutions.



150W / 200W

## LED Highbays

RLVHB150/200



- Available in different optics and wattages.
- High pressure die cast aluminium housing.
- Optical Polycarbonate lens.
- 4000K / 5000K.
- 5 year warranty.

- Ideal for warehouse, industrial areas and Supermarkets.

IP65  
130lm/W

36 Fransen Street Chamdor Krugersdorp

Tel: +27 11 769-1574 - Website: [www.reeflite.com](http://www.reeflite.com)