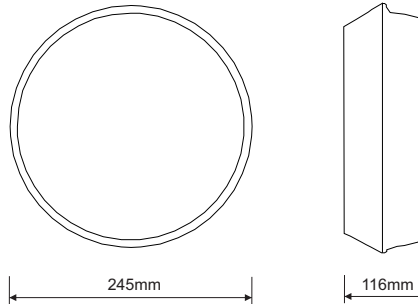


ROUND BULKHEAD

Product details



Features

- Polycarbonate base.
- Polycarbonate prismatic diffuser.
- Integral control gear.
- Photocell option.
- Available in ECG.
- Splash proof.

Benefits

- Ceiling /Wall mounted.
- UV stabilised for long life.
- Indoor or outdoor use.
- Ingress protection rating - IP 65.

Applications

Corridors
Entrances & exits
Commercial buildings
Domestic
Staircases
Hospitals & schools

Warranty

3 year warranty

ROUND BULKHEAD

Specifications

Product Code	MBR60/100ESWP	MBR60/100BCWP	MBR16W2DWP
Approx System Wattage	60W - ES	60W - BC	16W 2D - 2PIN
Absolute Lumens	710lm	710lm	1100lm
Colour Temperature	4800K	4800K	4800K
CRI	>80	≥80	≥80
Life Span	TBA	TBA	TBA
Average temp	min -20° max +35°	min -20° max +35°	min -20° max +35°
Housing Material	Polycarbonate base & prismatic diffuser	Polycarbonate base & prismatic diffuser	Polycarbonate base & prismatic diffuser
Packaging Weights and dimensions	282mm x 110mm x 282mm @ 0.55Kg	282mm x 110mm x 282mm @ 0.60Kg	282mm x 110mm x 282mm @ 1.03Kg
Beam Angle	90°	90°	90°
IP Rating	IP 65	IP 65	IP 65
Power Factor	0.95	0.95	0.95
Lamp	60W incandescent	60W incandescent	2D - 2PIN - 0.10 A
Suggested mounting height	2.5 - 5m Max	2.5 - 5m Max	2.5 - 5m Max

ROUND BULKHEAD

Specifications

Product Code	MBR109WWP	MBR209W/ELWP	MBR126WWP
Approx System Wattage	9W - 2 PIN	2x9W - 2 PIN (magnetic) 4 PIN (electronic)	1x26W - 2 PIN (magnetic) 4 PIN (electronic)
Absolute Lumens	600lm	1200lm	1800lm
Colour Temperature	4800K	4800K	4800K
CRI	≥80	≥80	≥80
Life Span	TBA	TBA	TBA
Average temp	min -20° max +35°	min -20° max +35°	min -20° max +35°
Housing Material	Polycarbonate base & prismatic diffuser	Polycarbonate base & prismatic diffuser	Polycarbonate base & prismatic diffuser
Packaging Weights and dimensions	282mm x 110mm x 282mm @ 1.04Kg	282mm x 110mm x 282mm @ 1.30Kg	282mm x 110mm x 282mm @ 1.52Kg
Beam Angle	90°	90°	90°
IP Rating	IP 65	IP 65	IP 65
Power Factor	0.95	0.95	0.95
Lamp	2Pin PL lamp - 0.06 A	2 x 2 or 4 Pin PL lamp - (0.12 A - 0.11 A)	1 x 2 or 4 Pin PL lamp - (0.15 A - 0.14 A)
Suggested mounting height	2.5 - 5m Max	2.5 - 5m Max	2.5 - 5m Max