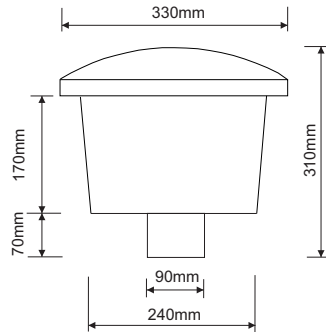


RL808 POST TOP

Product details



Features

- Glass reinforced polyester lid.
- Polycarbonate diffuser.
- External control gear.

Benefits

- 76mm Cast aluminium entry.
- Available in black/grey or green.
- Ingress protection rating - IP 55.

Applications

Parks & gardens
Foot paths
Driveways
Pedestrian precincts
Car parks

Warranty

1 year warranty

RL808 POST TOP

Specifications

Product Code	RL808125MV	RL808E27
Approx System Wattage	125W MV	45W E27 Base
Absolute Lumens	6200lm	2900lm
Colour Temperature	4000K	6500K
CRI	≥80	≥80
Life Span	TBA	TBA
Average temp	min -20° max +35°	min -20° max +35°
Housing Material	Glass reinforced polyester lid and polycarbonate diffuser	Glass reinforced polyester lid and polycarbonate diffuser
Packaging Weights and dimensions	324mm x 324mm x 350mm @ 4.35Kg	324mm x 324mm x 350mm @ 1.35Kg
Beam Angle	60°	60°
IP Rating	IP 55	IP 55
Power Factor	0.95	0.95
Starting /Running Amp	1.35 A - 0.68 A	45W E27 Energy saving
Suggested mounting height	3 - 5m Max	3 - 5m Max