

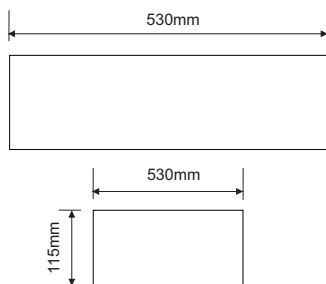
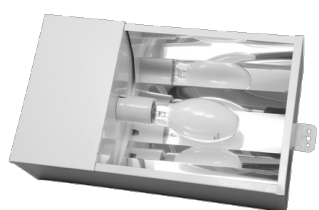
PRODUCTS

LOWBAY, POST TOP, IP65 FLUORESCENT & BOLLARD PRODUCT RANGE



Product details

RL606



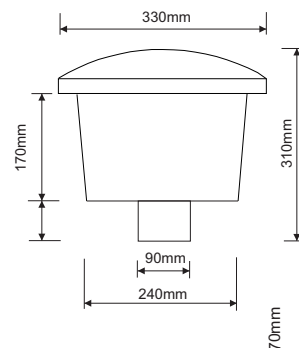
Features

- Powder coated mild steel body.
- High purity aluminium reflector.
- Integral control gear.
- Glass cover available.
- Ingress protection rating - IP 23 open.
- Ingress protection rating - IP 43 enclosed.

Applications

- | | |
|----------------------|-----------------------------------|
| Parks & gardens | Corridors & passageways |
| Foot paths | Moisture / corrosive environments |
| Driveways | Dusty environments |
| Pedestrian precincts | Canopies |
| Car parks | Cold rooms |

RL808



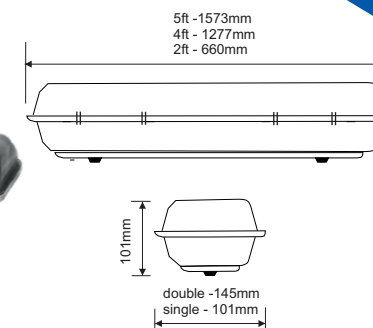
Features

- Glass reinforced polyester lid.
- Polycarbonate diffuser.
- External control gear.

Benefits

- IP65: Removable power coated gear plate.
- Electromagnetic or electronic control gear.
- T8 or T5 lamps.
- Ingress protection rating - IP 65.
- POST TOP: 76mm Cast aluminium entry.
- Available in black/grey or green.
- Ingress protection rating - IP 55.

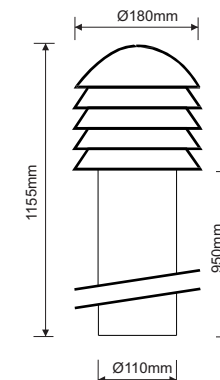
RFM



Features

- Polycarbonate base.
- Acrylic diffuser.
- Robust polyamide or stainless steel clips.
- Rotolock lamp holders.

MDB



Features

- 0.95m Stand pipe in PVC.
- Glass diffuser.
- UV stabilised for long life.
- Black or green pole and cap.

Brass nuts, stainless steel screws and rods.
Ingress protection rating - IP 55.

NOTE: Products must be installed by a qualified electrician