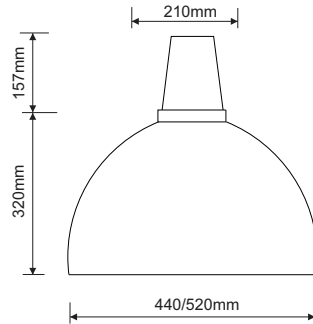


## ENERGY SAVING HIGHBAY

### Product details



16" /22" acrylic diffuser available

### Features

- Corrosion resistant glass reinforced mounting cup.
- 440/520mm anodised aluminium reflector with optional glass cover.

### Benefits

- Also available with 16"/22" acrylic diffuser with aluminium ring adapter.
- Acrylic drop lens optional.
- Ingress protection rating - IP 23 open.
- Ingress protection rating - IP 43 enclosed.

### Applications

Warehouses  
Foundries  
Workshops & other industrial Installations

### Warranty

3 year warranty

## ENERGY SAVING HIGHBAY

### Specifications

Product Code	RL254E85CFL - F/CUP	RL254E105CFL - F/CUP
Approx System Wattage	85W - E40	105W - E40
Absolute Lumens	5100lm	6000lm
Colour Temperature	6500K	6500K
CRI	≥80	≥80
Life Span	TBA	TBA
Average temp	min -20° max +35°	min -20° max +35°
Housing Material	Fibreglass mounting cup.	Fibreglass mounting cup.
Packaging Weights and dimensions	453mm x 450mm x 635mm @ 1.56Kg	453mm x 450mm x 635mm @ 1.56Kg
Beam Angle	90°	90°
IP Rating	IP 23 open - IP 43 enclosed	IP 23 open - IP 43 enclosed
Power Factor	0.95	0.95
Starting /Running Amp	0.60 A - 0.38 A	0.60 A - 0.38 A
Suggested mounting height	5 - 6m Max	5 - 6m Max

## ENERGY SAVING HIGHBAY

### Specifications

Product Code	RL254S85CFL - F/CUP	RL254S105CFL - F/CUP
Approx System Wattage	85W - E40	105W - E40
Absolute Lumens	5100lm	6000lm
Colour Temperature	6500K	6500K
CRI	≥80	≥80
Life Span	TBA	TBA
Average temp	min -20° max +35°	min -20° max +35°
Housing Material	Fibreglass mounting cup.	Fibreglass mounting cup.
Packaging Weights and dimensions	545mm x 545mm x 633mm @ 1.88Kg	545mm x 545mm x 633mm @ 1.88Kg
Beam Angle	90°	90°
IP Rating	IP 23 open - IP 43 enclosed	IP 23 open - IP 43 enclosed
Power Factor	0.95	0.95
Starting /Running Amp	0.60 A - 0.38 A	0.9 A - 0.44 A
Suggested mounting height	5 - 6m Max	5 - 6m Max