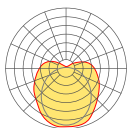
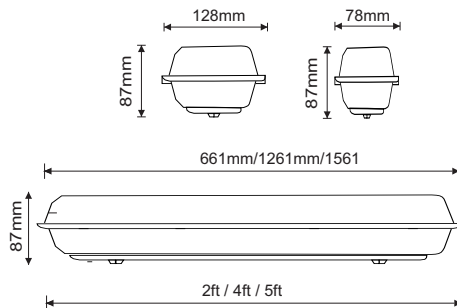


## LED ECO CLIMATE T8

### Product details



120°

### Features

- Polycarbonate body & diffuser.
- Plastic retainer clips.
- Fitted with LED tubes, ideal replacement for linear fluorescent.
- Single or Double options available.

### Benefits

- Designed for surface mount applications in industrial environments.
- Complete with mounting bracket, gland kit & screws
- Ingress protection rating - IP65.

### Applications

Industrial environments.  
 Corridors & passages  
 Moisture/corrosive environments  
 Dusty environments.  
 Cold rooms.  
 Canopies

### Warranty

3 year warranty

## SINGLE LED ECO CLIMATE T8

### Specifications

Product Code	ECLT6W10S40	ECLT12W18S40	ECLT15W22S40
Approx System Wattage	1x 10W	1x 18W	1x 22W
Absolute Lumens	800lm	1500lm	1950lm
Colour Temperature	4000K	4000K	4000K
CRI	≥80	≥80	≥80
Life Span	20000hrs	20000hrs	20000hrs
Average temp	min -20° max +40°	min -20° max +40°	min -20° max +40°
Housing Material	Polycarbonate body & diffuser	Polycarbonate body & diffuser	Polycarbonate body & diffuser
Packaging Weights and dimensions	600mm x 78mm x 87mm @ 0.75Kg	1200mm x 78mm x 87mm @ 1.33Kg	1500mm x 78mm x 87mm @ 1.65Kg
Photometric distribution	120°	120°	120°
IP Rating	IP 65	IP 65	IP 65
Power Factor	0.95	0.95	0.95
lm/W	80lm/W	83.3lm/W	88.6lm/W
Suggested mounting height	2 - 4m Max	2 - 4m Max	2 - 4m Max

## DOUBLE LED ECO CLIMATE T8

### Specifications

Product Code	ECLT6W20S40	ECLT12W36S40	ECLT15W44S40
Approx System Wattage	2 x 10W	2 x 18W	2 x 22W
Absolute Lumens	1600lm	3000lm	3900lm
Colour Temperature	4000K	4000K	4000K
CRI	≥80	≥80	≥80
Life Span	20000hrs	20000hrs	20000hrs
Average temp	min -20° max +40°	min -20° max +40°	min -20° max +40°
Housing Material	Polycarbonate body & diffuser	Polycarbonate body & diffuser	Polycarbonate body & diffuser
Packaging Weights and dimensions	600mm x 128mm x 87mm @ 1.07Kg	1200mm x 128mm x 87mm @ 1.94Kg	1500mm x 128mm x 87mm @ 2.52Kg
Photometric distribution	120°	120°	120°
IP Rating	IP 65	IP 65	IP 65
Power Factor	0.95	0.95	0.95
lm/W	80lm/W	83.3lm/W	88.6lm/W
Suggested mounting height	4 - 6m Max	4 - 6m Max	4 - 6m Max