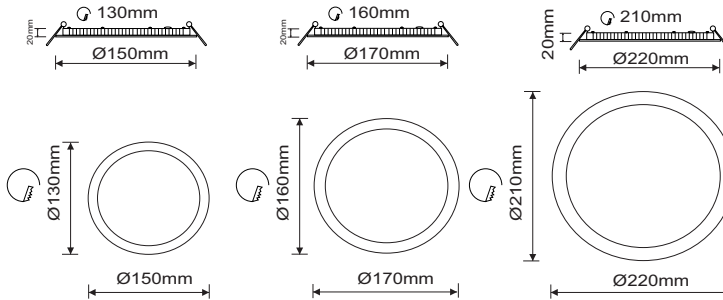


LED ECO CIRCULAR PANEL

Product details



Features

- Ideal to use with lighting controls.
- Standard , emergency & dimmable options.
- The slim framed panel provides excellent luminous uniformity.
- Perfect for all retrofit or new-build applications and projects.

Benefits

- Maintenance free.
- Ingress protection rating - IP44.
- High efficiency.
- Plug and play.
- 230V/50Hz.

Applications

Interior
Offices
General areas
Education spaces

Warranty

3 year warranty

LED ECO CIRCULAR PANEL

Specifications

Product Code	ELP15W9L40-1	ELP17W12L40-01	ELP22W18L40-01
Approx System Wattage	9W	12W	18W
Absolute Lumens	630lm	900lm	1530lm
Colour Temperature	4800K	4800K	4800K
CRI	≥80	≥80	≥80
Life Span	25000hrs	25000hrs	25000hrs
Average temp	min -20° max +35°	min -20° max +35°	min -20° max +35°
Housing Material	Aluminium frame & TPb diffuser	Aluminium frame & TPb diffuser	Aluminium frame & TPb diffuser
Packaging Weights and dimensions	160mm x 160mm x 62mm @ 0.35Kg	180mm x 180mm x 62mm @ 0.55Kg	266mm x 265mm x 65mm @ 0.85Kg
IP Rating	IP 44	IP 44	IP 44
Photometric distribution	110°	110°	110°
Power Factor	0.95	0.95	0.95
lm/W	70lm/W	75lm/W	85lm/W
Suggested mounting height	2 - 4m Max	2 - 4m Max	4- 6m Max

