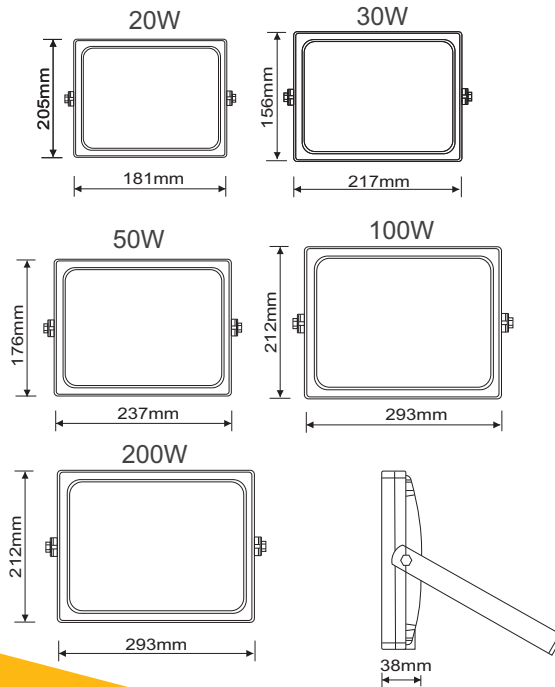


LED ECO FLOODLIGHTS

Product details



Features

- Die-cast housing with tempered glass .
- Sturdy steel bracket for simple installation.
- Wide beam reflector.

Benefits

- No warm-up time between instant light output.
- Pre-wired 0.5m H05RN-F .
- Long service life.
- Ingress protection rating - IP 65.

Applications

- Security perimeters
- Signage
- Small holdings
- Parks
- Gardens

Warranty

3 year warranty

LED ECO FLOODLIGHTS

Specifications

Product Code	EFL20B40-01	EFL30B40-01	EFL50B40-01
Approx System Wattage	20W	30W	50W
Absolute Lumens	1600lm	2400lm	4000lm
Colour Temperature	4000K	4000K	4000K
CRI	≥80	≥80	≥80
Life Span	25000hrs	25000hrs	25000hrs
Average temp	min -20° max +60°	min -20° max +60°	min -20° max +60°
Housing Material	Die-cast housing & tempered glass	Die-cast housing & tempered glass	Die-cast housing & tempered glass
Packaging Weights and dimensions	181mm x 130mm x 34mm @ 0.7Kg	217mm x 156mm x 35mm @ 0.95Kg	237mm x 176mm x 38mm @ 1.2Kg
Photometric distribution	60°	60°	60°
IP Rating	IP 65	IP 65	IP 65
Power Factor	0.7	0.7	0.7
lm/W	80lm/W	80lm/W	80lm/W
Suggested mounting height	3 - 6m Max	3 - 6m Max	3 - 6m Max

LED ECO FLOODLIGHTS

Specifications

Product Code	EFL100B40-01	EFL200B40-01
Approx System Wattage	100W	200W
Absolute Lumens	8000lm	16000lm
Colour Temperature	4000K	4000K
CRI	≥80	≥80
Life Span	25000hrs	25000hrs
Average temp	min -20° max +60°	min -20° max +60°
Housing Material	Die-cast housing & tempered glass	Die-cast housing & tempered glass
Packaging Weights and dimensions	293mm x 212mm x 41mm @ 1.9Kg	454mm x 314mm x 56mm @ 5.1Kg
Photometric distribution	60°	60°
IP Rating	IP 65	IP 65
Power Factor	0.7	0.7
lm/W	80lm/W	80lm/W
Suggested mounting height	6 - 7m Max	7 - 9m Max

