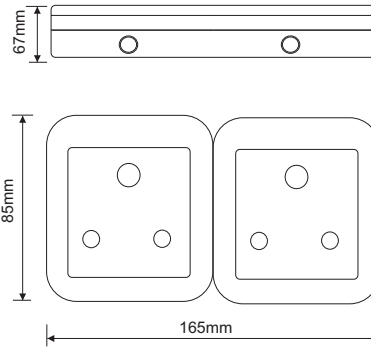


DOUBLE 16 AMP SOCKET IP55

Product details



WPB24SA



Features

- 4 x M20 cut-outs (1 each side).
- 1 x M25 cut-out on rear with sealant ring.
- 44mm fixing centres with horizontal & vertical adjustment.
- Multiple knockout locations.

Benefits

- Easy to install - small and compact.
- Water and dust protection when cover is closed.
- 1 gang 16A unswitched.
- Ingress protection rating - IP 55.

Applications

Gardens
Outdoor areas

Warranty

3 year warranty

