

LED Guardian floodlights

10W, 20W, 30W, 50W

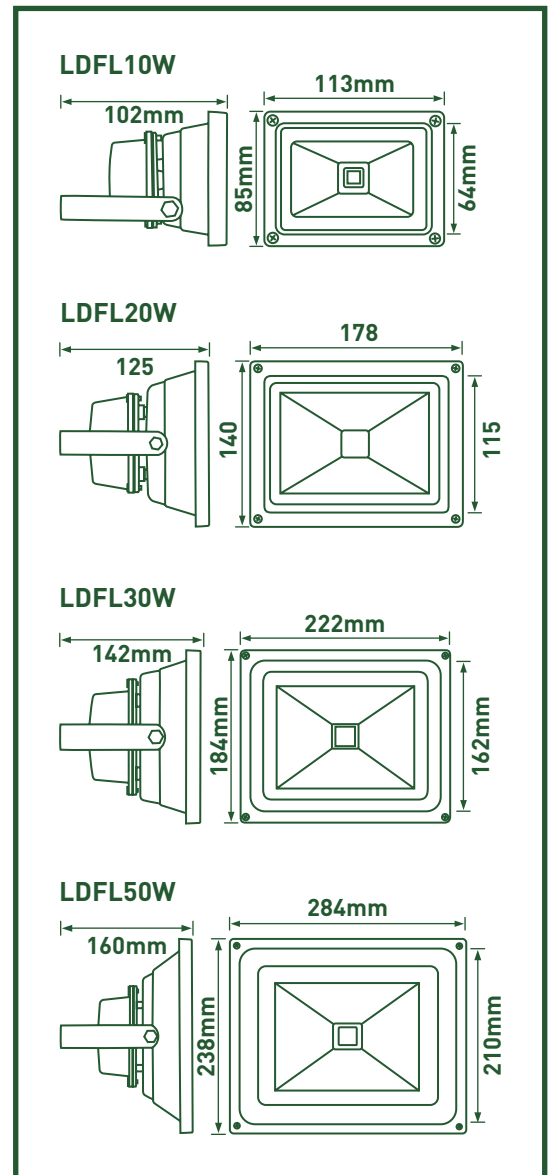


- 90% energy saving over halogen
- Maintenance free
- Pre-wired with 1.0m of rubber cable
- Override facility allowing floodlight to be kept ON during darkness
- Adjustable timer, sensitivity & lux level
- Instant 100% light output, suitable for PIR switching

[Click here for more information](#)



3 year guarantee available in the UK. Rest of the world may vary, please ask your local distributor for more information.



Cat No.	Wattage	Lumens	Efficacy lm/W	Voltage	Barcode
LDFL10W	10W	700	70	230V	5050765047241
LDFL20W	20W	1400	70	230V	5050765047258
LDFL30W	30W	2150	70	230V	5050765047265
LDFL50W	50W	3150	63	230V	5050765047272

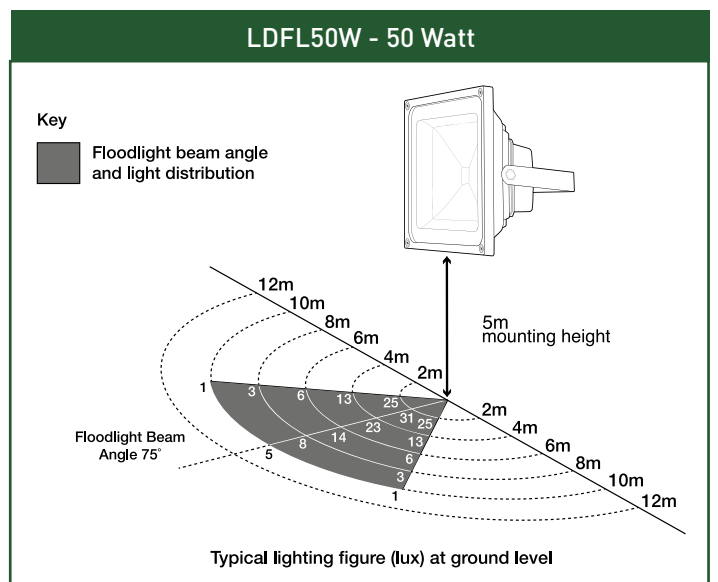
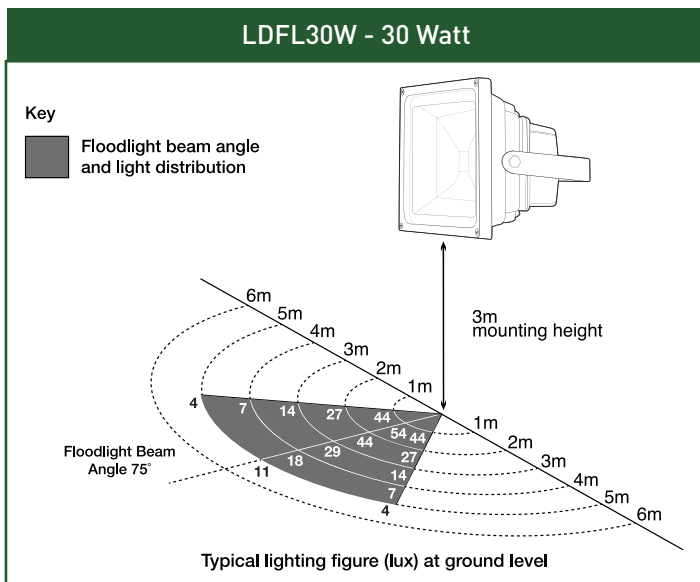
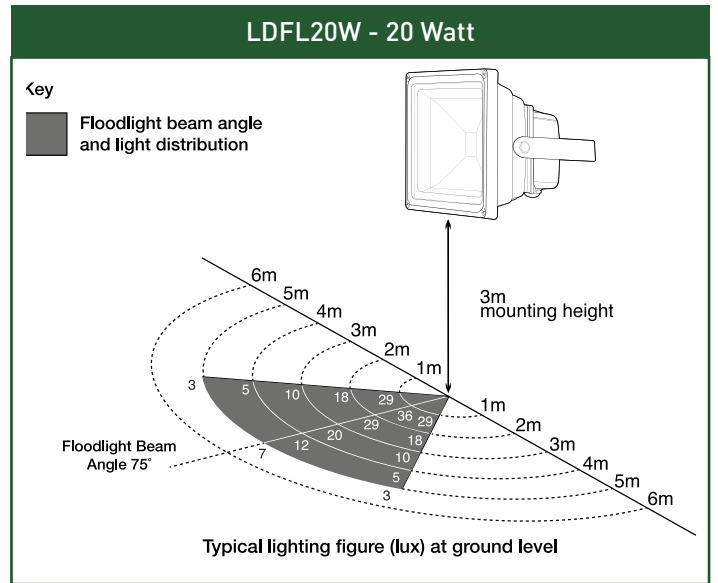
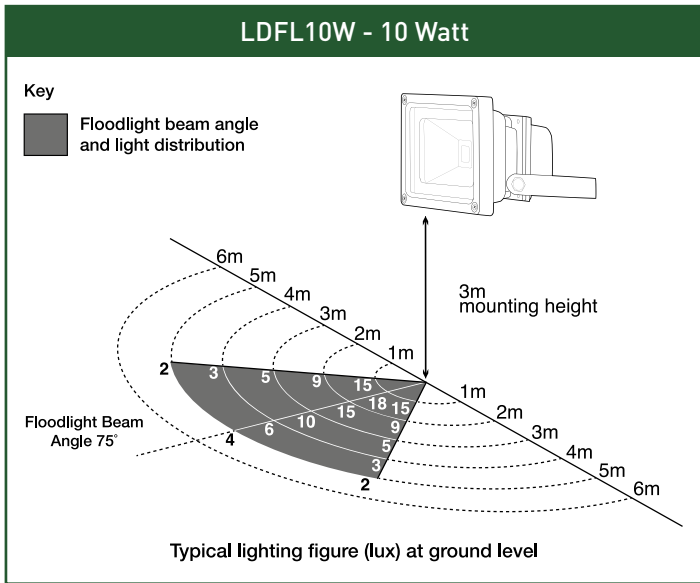
Suggested alternatives Halogen Equivalents:	
Guardian floodlights	Halogen
10W	100W
20W	200W
30W	300W
50W	500W

▼ Continued

Tech Help Line
 UK - **0845 194 7584**
 Non UK - **+44 (0)1952 238 100**

Supplied by
 BG Electrical Ltd
 Stafford Park 1 TF3 3BD ENGLAND

Visit our website at
www.luceco.co



LUCECO

The luminaire contains built-in LED lamps.

A⁺

The lamps cannot be changed in the luminaire.

874/2012

Standards

EN 60598-1	EN 55015	2002/96/EC
EN 60598-2-5	EN 61547	2002/95/EC
EN 61347-1	EN 61000-3-2	[EC] No 1907/2006
EN 61347-2-13	EN 62471	Photobiological safety of lamps and lamp systems

Note – this product range is designed as for outdoor use. Interior use, especially as an uplight is not recommended.

Tech Help Line
 UK - **0845 194 7584**
 Non UK - **+44 (0)1952 238 100**

Supplied by
 BG Electrical Ltd
 Stafford Park 1 TF3 3BD ENGLAND

Visit our website at
www.luceco.co