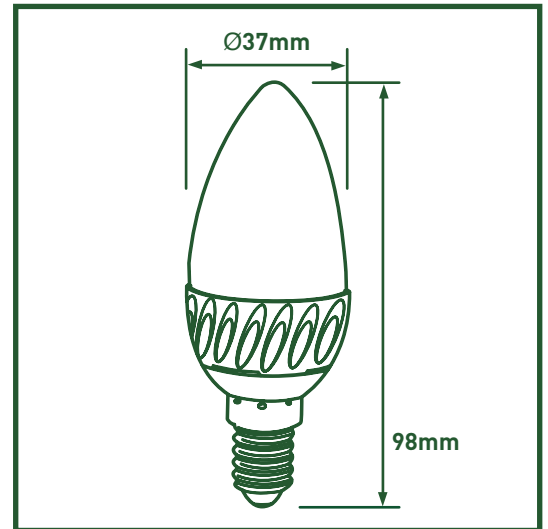


LED Lamp Candle 3.3W



- 30% energy saving versus CFL's
- Double lifetime versus CFL's
- Mercury free
- Non-Dimmable
- COB technology

[Click here for more information](#)

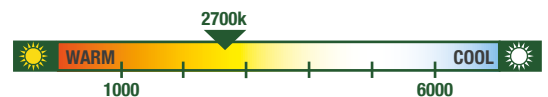


3 year guarantee available in the UK. Rest of the world may vary, please ask your local distributor for more information.



4 cap fitting options

Cat. No	Cap	Barcode
LCB143W250N27	B14	5015056 523163
LCB223W250N27	B22	5015056 523170
LCE143W250N27	E14	5015056 523156
LCE153W250N27	E15	5015056 524559



CARBON SAVING

This Product Uses:

1kg of CO₂ per 1000hrs compared to a **30W** equivalent:

14kg of CO₂ **SAVING** 13Kg of CO₂ per 1000hrs

ENERGY CLASSIFICATION

Y IJA IE IA

енергия • ενεργεια

A++ A+ A B C D E

A+

Type	C30
Voltage	AC 230V
Equivalent to	30W
Power factor	0.7
Ignition time	<0.5 sec
Start up time (95%)	<2.0 sec
Switching cycle	>15,000

CE RoHS Compliant

Standards

EN 62560:2012	EN 62471:2008	EN 62493:2010
---------------	---------------	---------------

Tech Help Line
UK - **0845 194 7584**
Non UK - **+44 (0)1952 238 100**

Supplied by
BG Electrical Ltd
Stafford Park 1 TF3 3BD ENGLAND

Visit our website at
www.luceco.co