

Amenity LED wall pack LWP21L42



- LED alternative to HID, ideal for security lighting
- Integral LED array and driver
- RAL7026 finish
- Supplied prewired with H05RN-F rubber insulated cable

[Click here for more information](#)

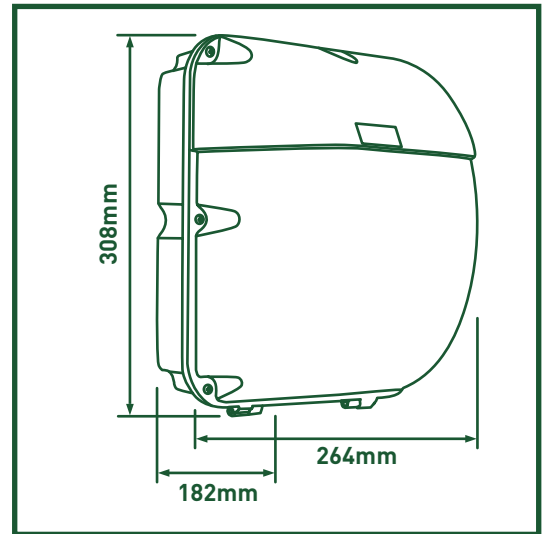


| Cat No. | Voltage | Barcode |
|----------|---------|---------------|
| LWP21L42 | 230V | 5015056530918 |



Standards

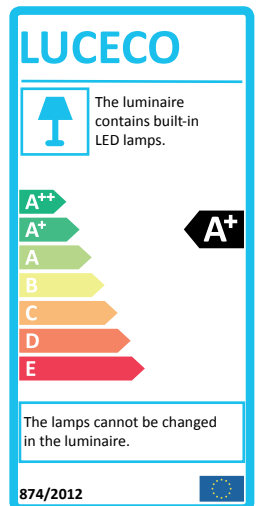
| | |
|---------------|---|
| EN 60598-1 | Luminaires - General requirements |
| EN 60598-2-1 | Luminaires - Fixed |
| EN 61347-1 | Lamp controlgear - Part 1: General and safety requirements |
| EN 61347-2-13 | Lamp controlgear - Part 2-13 : Particular requirements for d.c. or a.c. supplied electronic controlgear for LED modules |
| EN 55015 | Limits and methods of measurement of radio disturbance characteristics of electrical lighting and similar equipment |
| EN 61547 | Equipment for general lighting purposes - EMC immunity requirements |



3 years standard guarantee and 1 year onsite warranty available in the UK. Rest of the world may vary, please ask your local distributor for more information.



Limited ingress of dust permitted. Protected against water splashed from all directions.



| | |
|-------------------|--|
| EN 61000-3-2 | Electromagnetic compatibility (EMC) - Part 3-2: Limits - Limits for harmonic current emissions |
| EN 62471 | Photobiological safety of lamps and lamp systems |
| 2002/96/EC | Waste Electrical & Electronic Equipment (WEEE) |
| 2011/65/EU | Restriction of the use of certain Hazardous Substances in EEE (RoHS) |
| (EC) No 1907/2006 | The Registration, Evaluation, Authorisation and Restriction of Chemicals (REACH) |

Tech Help Line

UK - **0845 194 7584**

Non UK - **+44 (0)1952 238 100**

Supplied by

BG Electrical Ltd

Stafford Park 1 TF3 3BD ENGLAND

Visit our website at

www.luceco.uk