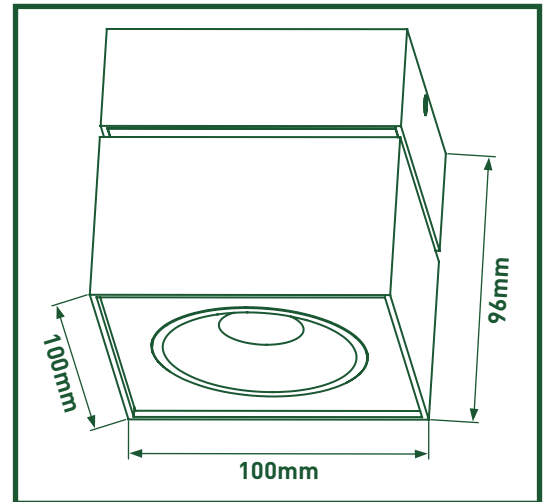


Surface Mounted Downlights

LKT2021B - adjustable



3 years standard guarantee and 1 year onsite warranty available in the UK. Rest of the world may vary, please ask your local distributor for more information.

- Allows tilt of up to 85°
- Manufactured in aluminium
- Gimbal - adjustable positioning
- Optimised thermal design allows for excellent heat dissipation
- Integral fixed output driver



RoHS



[Click here for more information](#)

4000K
NEUTRAL
WHITE

BEAM
ANGLE
37°

CRI
>80

WHITE
FINISH

Cat No.	Voltage	Barcode
LKT2021B	230V	5015056530192

IP20
RATED

14W
LED

1100
LUMINAIRE
LUMENS

79
Lm/W

LUCECO

The luminaire contains built-in LED lamps.

A++
A+
A
B
C
D
E

A+

The lamps cannot be changed in the luminaire.

874/2012

Standards

EN 60598-1	Luminaires - General requirements	EN 61000-3-2	Electromagnetic compatibility (EMC) - Part 3-2: Limits - Limits for harmonic current emissions
EN 60598-2-2	Luminaires - Recessed	EN 62471	Photobiological safety of lamps and lamp systems
EN 61347-1	Lamp controlgear - Part 1: General and safety requirements	BS 476 PT 21	30, 60 & 90 Mins Fire rating
EN 61347-2-13	Lamp controlgear - Part 2-13 : Particular requirements for d.c. or a.c. supplied electronic controlgear for LED modules	2002/96/EC	Waste Electrical & Electronic Equipment (WEEE)
EN 55015	Limits and methods of measurement of radio disturbance characteristics of electrical lighting and similar equipment	2011/65/EU	Restriction of the use of certain Hazardous Substances in EEE (RoHS)
EN 61547	Equipment for general lighting purposes - EMC immunity requirements	(EC) No 1907/2006	The Registration, Evaluation, Authorisation and Restriction of Chemicals (REACH)

Tech Help Line
UK - **0845 194 7584**
Non UK - **+44 (0)1952 238 100**

Supplied by
BG Electrical Ltd
Stafford Park 1 TF3 3BD ENGLAND

Visit our website at
www.luceco.uk