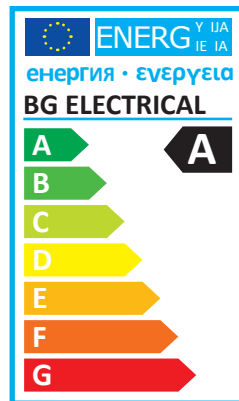


Portable Work lights LED 10W, 20W, 30W, 50W



- Energy saving LED technology
- Maintenance free
- Aluminium stand, die cast housing with tempered glass
- Pre-wired with 1m of H05RN-F rubber cable
- Weatherproof power switch

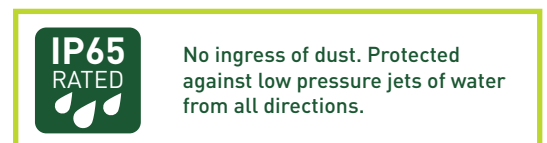
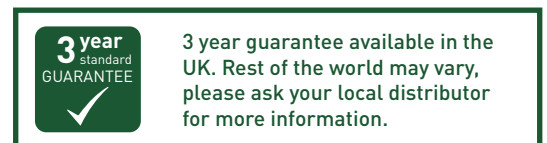
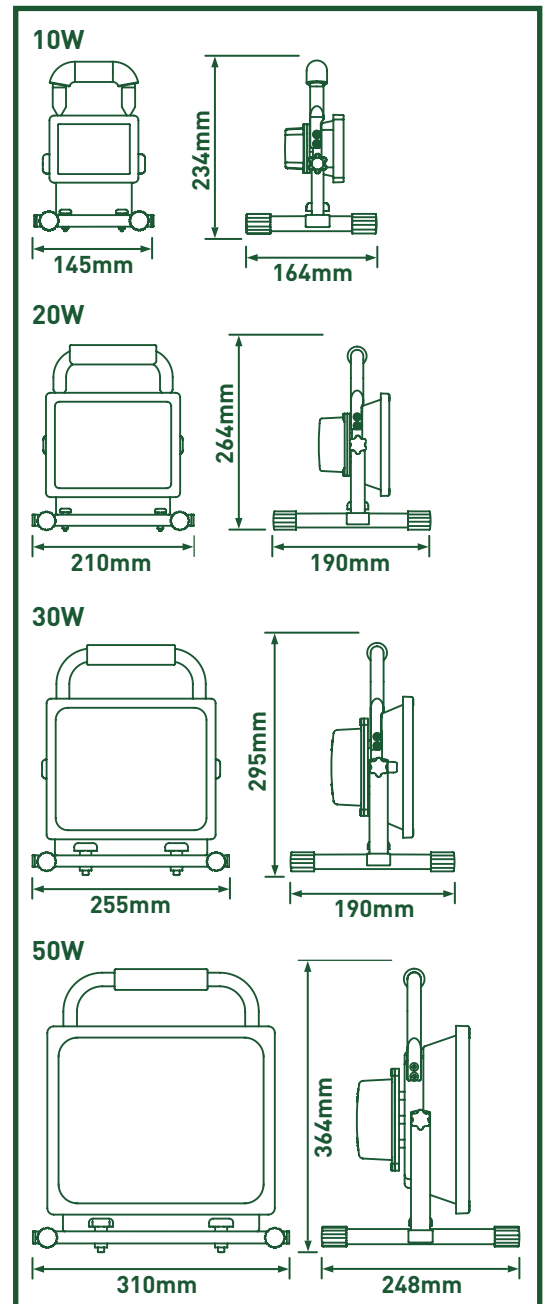


[Click here for more information](#)



Cat. No	Luminaire Lumens	Wattage	Efficacy Llm/W	Voltage	Barcode
LW10BY1	600	10W	60	230V	5015056531687
LW20BY1	1200	20W	60	230V	5015056531694
LW30BY1	1800	30W	60	230V	5015056531700
LW50BY1	3000	50W	60	230V	5015056531717

Standards	
EN 60598-1	Luminaires - General requirements
EN 60598-2-4	Luminaires - Portable
EN 55015	Limits and methods of measurement of radio disturbance characteristics of electrical lighting and similar equipment
EN 61547	Equipment for general lighting purposes - EMC immunity requirements
EN 61000-3-2	Electromagnetic compatibility (EMC) - Part 3-2: Limits - Limits for harmonic current emissions
EN 62471	Photobiological safety of lamps and lamp systems
2002/96/EC	Waste Electrical & Electronic Equipment (WEEE)
2011/65/EU	Restriction of the use of certain Hazardous Substances in EEE (RoHS)
[EC] No 1907/2006	The Registration, Evaluation, Authorisation and Restriction of Chemicals (REACH)



Tech Help Line
UK - **0845 194 7584**
Non UK - **+44 (0)1952 238 100**

Supplied by
BG Electrical Ltd
Stafford Park 1 TF3 3BD ENGLAND

Visit our website at
www.luceco.uk