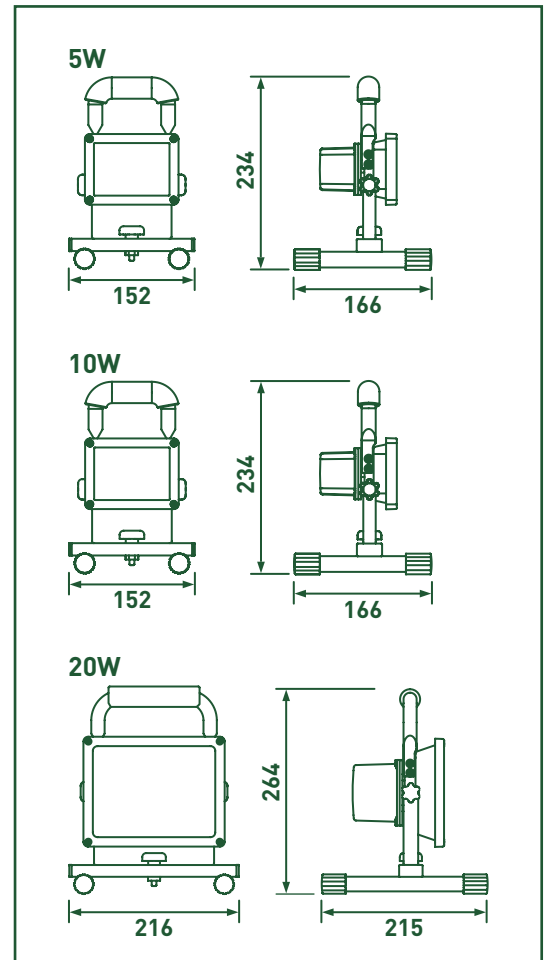


## Industrial work lights

### Re-chargeable



- H frame with soft grip handle
- Aluminium stand, die cast housing with tempered glass
- Waterproof power switch
- Epistar chip (non integrated driver)
- Li-Battery: battery rated for 500 recharge cycles
- Recharge through mains or car charger



Extended guarantee, just register your installation



RoHS



**5000K**  
COOL  
WHITE

**30,000**  
HOURS

BEAM  
ANGLE  
**75°**

**CRI**  
> **80**

**IP65**  
RATED

Cat. No	Lumens	Wattage	Colour temp	Efficacy
LW5HBYRC	350	5	5000K	70
LW10HBYRC	700	10	5000K	70
LW20HBYRC	1400	20	5000K	70

Tech Help Line

UK - **0845 194 7584**

Non UK - **+44 (0)1952 238 100**

Supplied by

BG Electrical Ltd

Stafford Park 1 TF3 3BD ENGLAND

Visit our website at