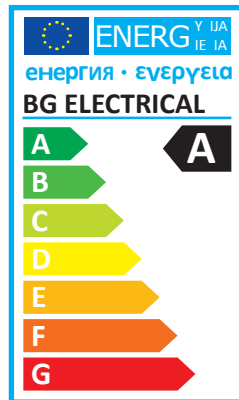
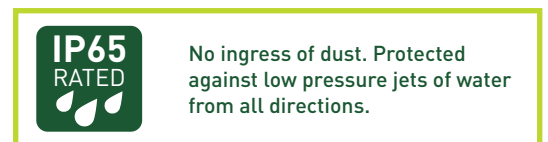
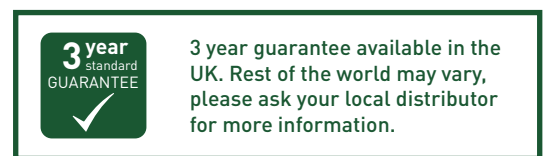
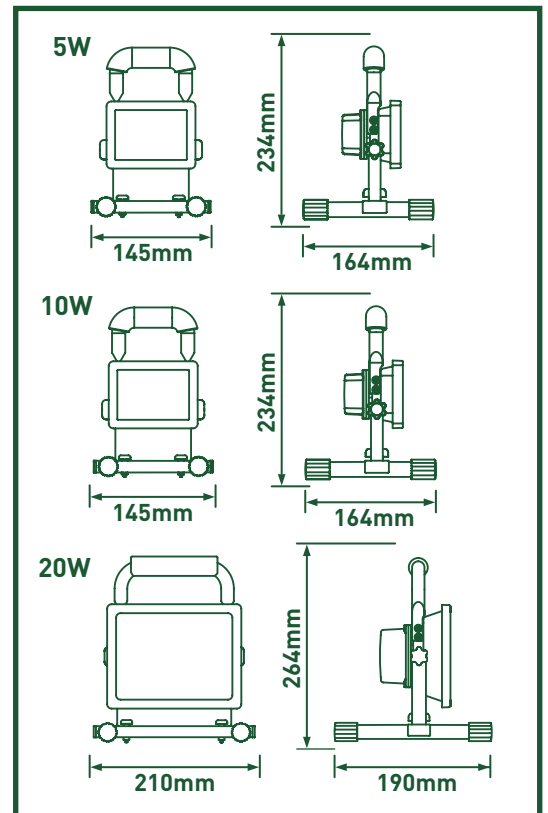


Portable Work lights

Rechargeable



- Aluminium stand, die cast housing with tempered glass
- 90% energy saving over Halogen
- Maintenance free
- Weatherproof power saving mode switch
- Operating duration at:
Full output >3hrs
Power saving >6hrs
- Epistar chip (non integrated driver)
- Recharge through mains or car charger



[Click here for more information](#)

Cat. No	Luminaire Lumens	Wattage	Efficacy Llm/W	Voltage	Barcode
LWR5BY	375	5W	75	230V	5015056531724
LWR10BY	750	10W	75	230V	5015056531731
LWR20BY	1500	20W	75	230V	5015056531748

Standards

EN 60598-1	Luminaires - General requirements
EN 60598-2-4	Luminaires - Portable
EN 55015	Limits and methods of measurement of radio disturbance characteristics of electrical lighting and similar equipment
EN 61547	Equipment for general lighting purposes - EMC immunity requirements
EN 61000-3-2	Electromagnetic compatibility (EMC) - Part 3-2: Limits - Limits for harmonic current emissions
EN 62471	Photobiological safety of lamps and lamp systems
2002/96/EC	Waste Electrical & Electronic Equipment (WEEE)
2011/65/EU	Restriction of the use of certain Hazardous Substances in EEE (RoHS)
(EC) No 1907/2006	The Registration, Evaluation, Authorisation and Restriction of Chemicals (REACH)



Tech Help Line
UK - **0845 194 7584**
Non UK - **+44 (0)1952 238 100**

Supplied by
BG Electrical Ltd
Stafford Park 1 TF3 3BD ENGLAND

Visit our website at
www.luceco.uk