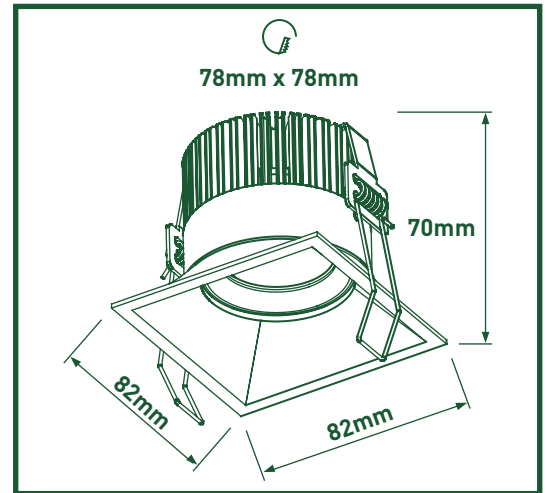
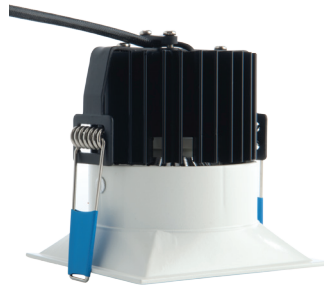


## Recessed Downlights

### LKT6564 - low glare



- Fixed position
- Manufactured in aluminium
- Double insulated
- Slim trim bezel for clean contemporary appearance and LED light source is mounted deep in the housing to limit glare
- Driver required:  
Fixed output driver = LDR10350  
Dimmable = LDRDIM15350



3 years standard guarantee and 1 year onsite warranty available in the UK. Rest of the world may vary, please ask your local distributor for more information.



RoHS



[Click here for more information](#)

**4000K**  
NEUTRAL  
WHITE

BEAM  
ANGLE  
**30°**

**CRI**  
**>80**

**WHITE**  
FINISH

Cat No.	Description	Voltage	Barcode
LKT6564	Square	230V	5015056530086

**IP20**  
RATED

**720**  
LUMINAIRE  
LUMENS

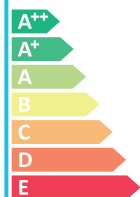
**6.2W**  
LED

**116**  
Llm/W

**LUCECO**



The luminaire contains built-in LED lamps.



**A+**

The lamps cannot be changed in the luminaire.

874/2012



#### Standards

EN 60598-1	Luminaires - General requirements	EN 61000-3-2	Electromagnetic compatibility (EMC) - Part 3-2: Limits - Limits for harmonic current emissions
EN 60598-2-2	Luminaires - Recessed	EN 62471	Photobiological safety of lamps and lamp systems
EN 61347-1	Lamp controlgear - Part 1: General and safety requirements	BS 476 PT 21	30, 60 & 90 Mins Fire rating
EN 61347-2-13	Lamp controlgear - Part 2-13 : Particular requirements for d.c. or a.c. supplied electronic controlgear for LED modules	2002/96/EC	Waste Electrical & Electronic Equipment (WEEE)
EN 55015	Limits and methods of measurement of radio disturbance characteristics of electrical lighting and similar equipment	2011/65/EU	Restriction of the use of certain Hazardous Substances in EEE (RoHS)
EN 61547	Equipment for general lighting purposes - EMC immunity requirements	[EC] No 1907/2006	The Registration, Evaluation, Authorisation and Restriction of Chemicals (REACH)

Tech Help Line

UK - **0845 194 7584**

Non UK - **+44 (0)1952 238 100**

Supplied by

BG Electrical Ltd

Stafford Park 1 TF3 3BD ENGLAND

Visit our website at

**www.luceco.uk**