

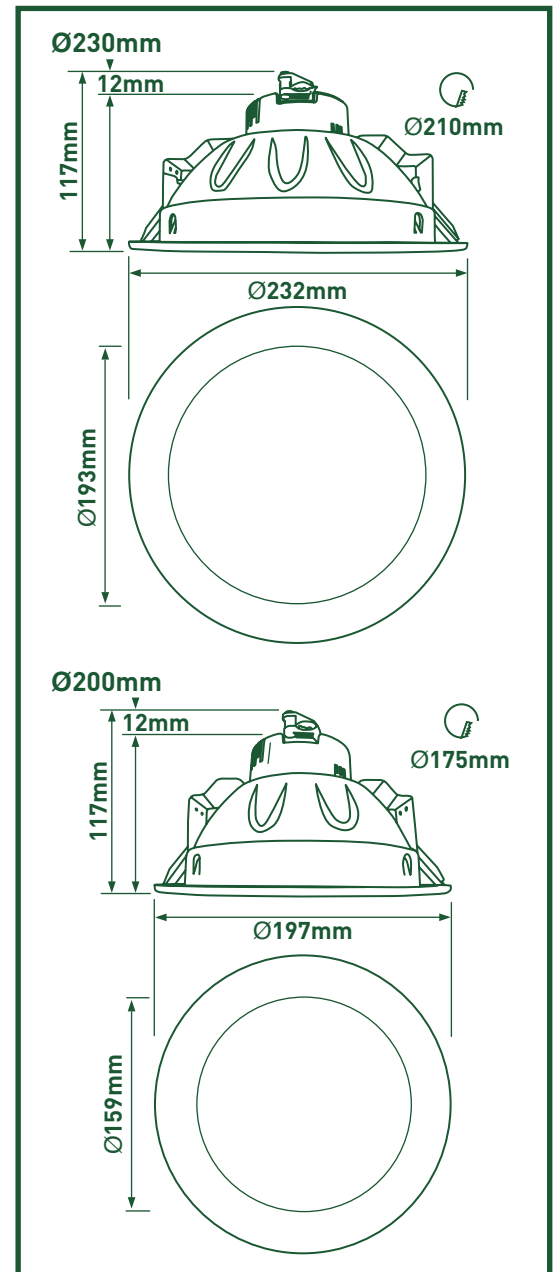
Recessed Downlights

Carbon



- Ideal replacement for compact fluorescent downlights
- Running cost savings of up to 60% against fluorescent installations
- Supplied with interchangeable white and silver finish inner bezel options
- Maintained emergency versions available for LBDL4/6/8IN as a remote “plug and play” style driver - LED3EP80

[Click here for more information](#)



Ø230mm

Cat No.	Description	Wattage	Luminaire Lumens	Efficacy Llm/W	Voltage	Barcode
LBDL8IN	Standard driver	18W	2160	120	230V	5015056531854

Ø200mm

Cat No.	Description	Wattage	Luminaire Lumens	Efficacy Llm/W	Voltage	Barcode
LBDL6IN	Standard driver	12W	1440	120	230V	5015056531830

Ø150mm

Cat No.	Description	Wattage	Luminaire Lumens	Efficacy Llm/W	Voltage	Barcode
LBDL4IN	Standard driver	6W	720	120	230V	5015056531816

▼ Continued

Tech Help Line
 UK - **0845 194 7584**
 Non UK - **+44 (0)1952 238 100**

Supplied by
 BG Electrical Ltd
 Stafford Park 1 TF3 3BD ENGLAND

Visit our website at
www.luceco.uk

Recessed Downlights Carbon

Ø110mm

Cat No.	Description	Wattage	Luminaire Lumens	Efficacy Llm/W	Voltage	Barcode
LBDL3IN	Standard driver	4W	480	120	230V	5015056531809

Ø90mm

Cat No.	Description	Wattage	Luminaire Lumens	Efficacy Llm/W	Voltage	Barcode
LBDL2IN	Standard driver	2.5W	300	120	230V	5015056531793

Cat No.	Description	Voltage	Barcode
LED3EP80	Emergency Pack	2.5W	5015056531793

LUCECO

The luminaire contains built-in LED lamps.

A++
A+
A
B
C
D
E

A+

The lamps cannot be changed in the luminaire.

874/2012

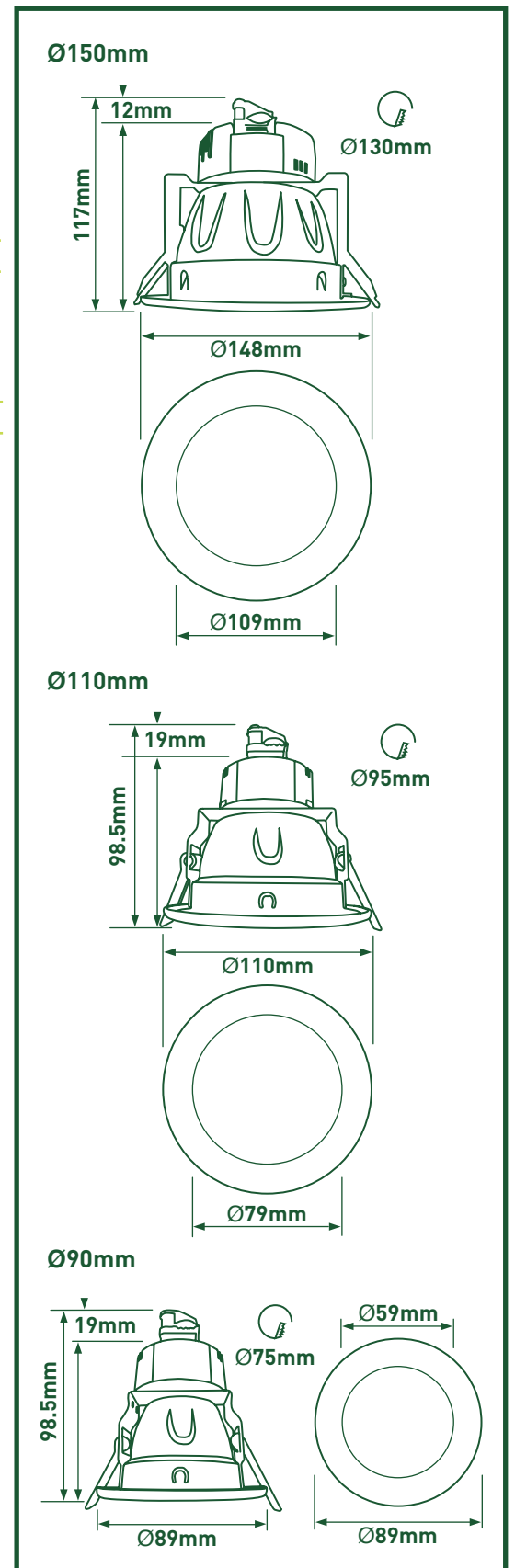
3 year
standard
GUARANTEE

1 year
on site
WARRANTY

3 years guarantee and 1 year onsite warranty available in the UK. Rest of the world may vary, please ask your local distributor for more information.

Suggested alternatives CFL Equivalents:	
LED Commercial Downlights	Compact fluorescent
LBDL4IN - 6W	CFL - 18W
LBDL6IN - 12W	CFL - 26W/32W or 2 x 18W
LBDL8IN - 18W	CFL - 42W or 2 x 26W

Standards	
EN 60598-1	Luminaires - General requirements
EN 60598-2-2	Luminaires - Recessed
EN 61347-1	Lamp controlgear - Part 1: General and safety requirements
EN 61347-2-13	Lamp controlgear - Part 2-13 : Particular requirements for d.c. or a.c. supplied electronic controlgear for LED modules
EN 55015	Limits and methods of measurement of radio disturbance characteristics of electrical lighting and similar equipment
EN 61547	Equipment for general lighting purposes - EMC immunity requirements
EN 61000-3-2	Electromagnetic compatibility (EMC) - Part 3-2: Limits - Limits for harmonic current emissions
EN 62471	Photobiological safety of lamps and lamp systems
BS 476 PT 21	30, 60 & 90 Mins Fire rating
2002/96/EC	Waste Electrical & Electronic Equipment (WEEE)
2011/65/EU	Restriction of the use of certain Hazardous Substances in EEE (RoHS)
(EC) No 1907/2006	The Registration, Evaluation, Authorisation and Restriction of Chemicals (REACH)



Tech Help Line
UK - **0845 194 7584**
Non UK - **+44 (0)1952 238 100**

Supplied by
BG Electrical Ltd
Stafford Park 1 TF3 3BD ENGLAND

Visit our website at
www.luceco.uk