

## Commercial downlights recessed modular frames



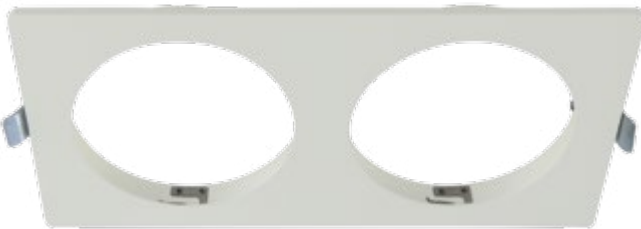
Single circular frame



Single square frame



Double circular frame



Double square frame

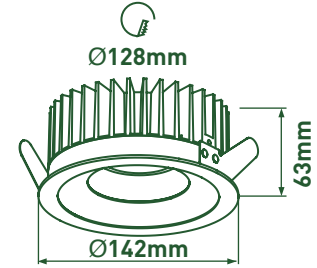
### Single frame

Cat No. White	Cat No. Grey	Cat No. Black	Description	Barcode
LKTMODSRFWH	LKTMODSRFGY	LKTMODSRFBL	Circular	5015056530123
LKTMODSSFHWH	LKTMODSSFHGY	LKTMODSSFHBL	Square	5015056530130
LKTMODSSGWH	LKTMODSSGGY	LKTMODSSGBL	Square gimbal	5015056530147

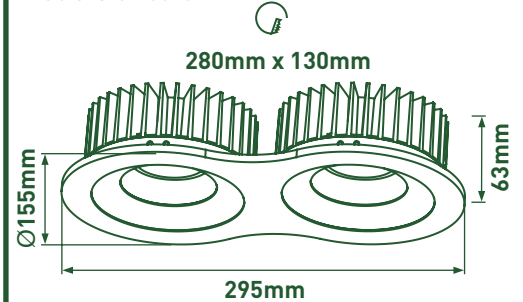
### Double frame

Cat No. White	Cat No. Grey	Cat No. Black	Description	Barcode
LKTMODDRFWH	LKTMODDRFGY	LKTMODDRFBL	Circular	5015056530154
LKTMODDSFWH	LKTMODDSFGY	LKTMODDSFBL	Square	5015056530161
LKTMODDSGWH	LKTMODDSGGY	LKTMODDSGBL	Square gimbal	5015056530178

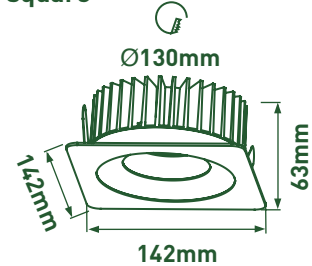
### Single circular



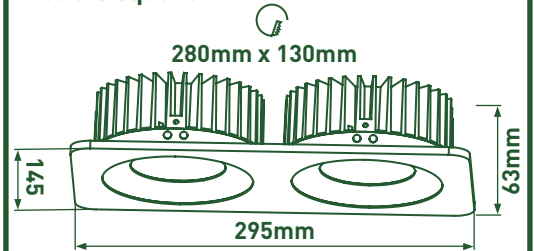
### Double circular



### Single square



### Double square



RoHS



3 years standard guarantee and 1 year onsite warranty available in the UK. Rest of the world may vary, please ask your local distributor for more information.

▼ Continued

Tech Help Line  
UK - **0845 194 7584**  
Non UK - **+44 (0)1952 238 100**

Supplied by  
BG Electrical Ltd  
Stafford Park 1 TF3 3BD ENGLAND

Visit our website at

[www.luceco.co](http://www.luceco.co)

## Commercial downlights recessed modules



**LKTMOD1WH** - White

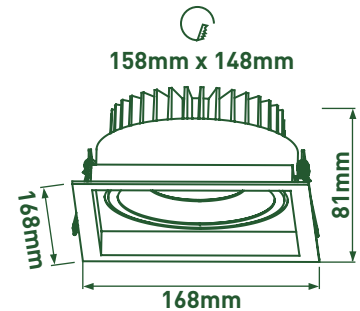


**LKTMOD1BL** - Black

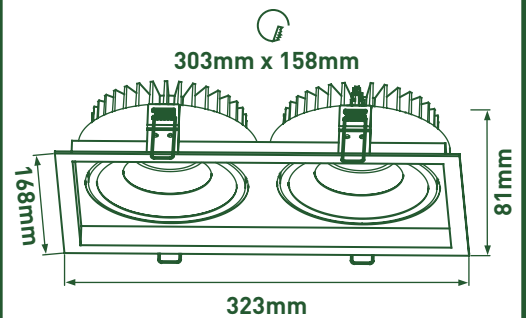
- Manufactured in aluminium
- Double insulated
- Spring clip installation
- Thermal design allows for excellent heat dissipation
- Fixed output driver = LDR20350, Dimmable driver = LDRDIM15350

[Click here for more information](#)

### Single gimbal



### Double gimbal



- Gimbal - adjustable positioning

Cat No. White	Cat No. Black	Wattage	Lumens	Efficacy lm/W	Voltage	Barcode
LKTMOD1WH	LKTMOD1BL	12W	1080	90	230V	5015056530109



### Example Configurations



**LKTMODSSFWH** - Frame

+



**LKTMOD1WH** - Module

=



Single square

Double gimbal example  
**LKTMOD1BL + LKTMODDSGWH**



▼ Continued

Tech Help Line  
UK - **0845 194 7584**  
Non UK - **+44 (0)1952 238 100**

Supplied by  
BG Electrical Ltd  
Stafford Park 1 TF3 3BD ENGLAND


Visit our website at  
**[www.luceco.co](http://www.luceco.co)**

## Standards


EN 60598-1	Luminaires - General requirements
EN 60598-2-2	Luminaires - Recessed
EN 61347-1	Lamp controlgear - Part 1: General and safety requirements
EN 61347-2-13	Lamp controlgear - Part 2-13 : Particular requirements for d.c. or a.c. supplied electronic controlgear for LED modules
EN 55015	Limits and methods of measurement of radio disturbance characteristics of electrical lighting and similar equipment
EN 61547	Equipment for general lighting purposes - EMC immunity requirements

EN 61000-3-2	Electromagnetic compatibility (EMC) - Part 3-2: Limits - Limits for harmonic current emissions
EN 62471	Photobiological safety of lamps and lamp systems
BS 476 PT 21	30, 60 & 90 Mins Fire rating
2002/96/EC	Waste Electrical & Electronic Equipment (WEEE)
2011/65/EU	Restriction of the use of certain Hazardous Substances in EEE (RoHS)
(EC) No 1907/2006	The Registration, Evaluation, Authorisation and Restriction of Chemicals (REACH)

## LUCECO



The luminaire contains built-in LED lamps.



A+

The lamps cannot be changed in the luminaire.

874/2012
