

LED LuxPanel

IP65 Standard & Dimmable Drivers

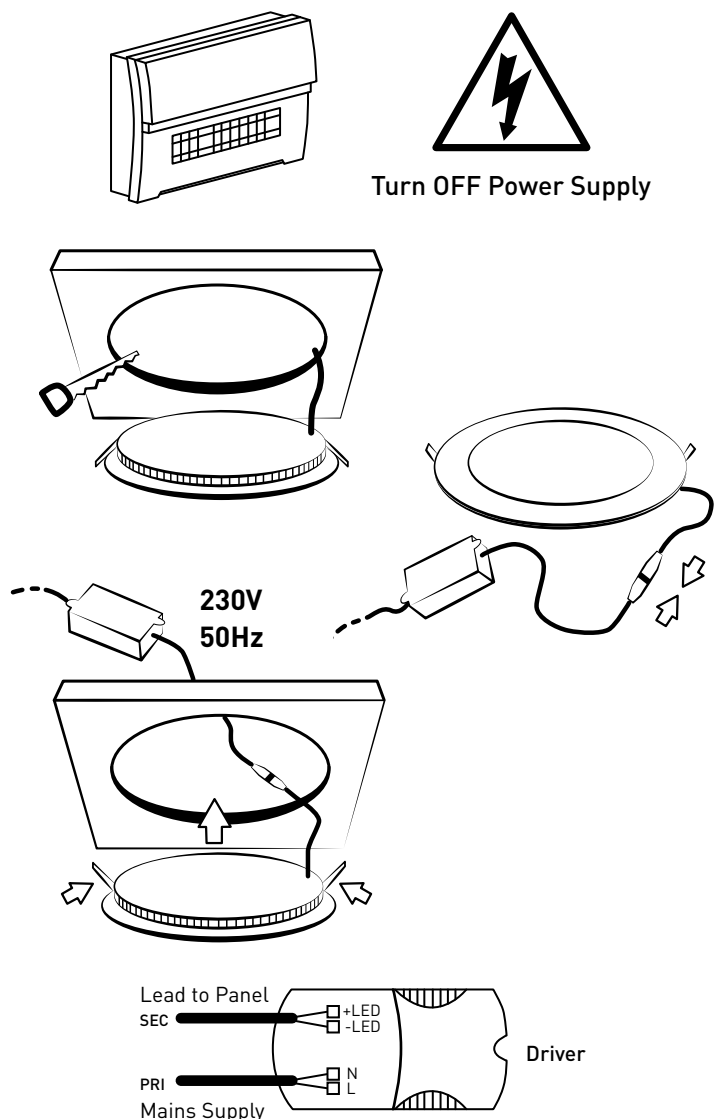
Ø240mm

NOTE – To comply with regulations, installation must be carried out by qualified electrician and in accordance with the current IEE Wiring Regulations (BS7671) and Building Regulations.

ENSURE ELECTRICAL SUPPLY IS DISCONNECTED/ISOLATED BEFORE COMMENCING INSTALLATION

SUGGESTED METHOD OF INSTALLATION

1. Turn OFF power supply, ensure all required equipment and tools are present.
2. For installations in suspended ceilings, remove the relevant ceiling tile. Carefully mark the ceiling with the correct cut-out and check prior to cutting. **NOTE** - The cut-out is smaller than the product size. The ceiling may require additional inner reinforcement, depending on construction and condition.
3. Connect the LED Driver to the mains supply. **NOTE** – The Driver is remote to the panel. Mains connection to the input terminals and the output terminal is to be connected to the lead supplied with the LuxPanel (Brown to +, Blue to -).
4. Connect the 2 parts of the lead from the LED Driver to the LuxPanel.
5. The LED Driver should be positioned on top of an adjacent ceiling section. It is not recommended to place the components on top of the panel due to the extra weight.
6. With the LuxPanel connected and installed, reinstate the mains power supply and test function.



Tech Help Line
 UK - **0845 194 7584**
 Non UK - **+44 (0)1952 238 100**

Supplied by
 BG Electrical Ltd
 Stafford Park 1 TF3 3BD ENGLAND

Visit our website at
www.luceco.co