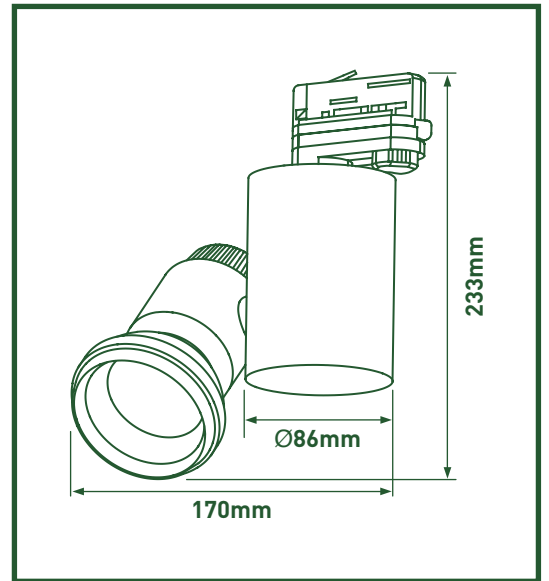


## Commercial track lights

LKT8562



3 years standard guarantee and 1 year onsite warranty available in the UK. Rest of the world may vary, please ask your local distributor for more information.

- Spot light for 3 circuit lighting track
- Track not included
- Universal track adaptor for use on popular 3 circuit mains track systems
- Spotlight allows a tilt of 350° swivel
- Integral fixed output driver
- Highly efficient
- Generate less heat, UV & IR free compared to traditional track lights

[Click here for more information](#)

4000K  
COOL  
WHITE

BEAM  
ANGLE  
22°

CRI  
>80

IP20  
RATED

WHITE  
FINISH



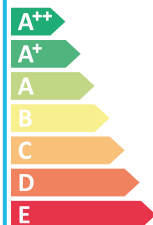
RoHS



### LUCECO



The luminaire contains built-in LED lamps.



**A+**

The lamps cannot be changed in the luminaire.

874/2012



Cat No.	Wattage	Lumens	Efficacy lm/W	Voltage	Barcode
LKT8562	15W	960	64	230V	5015056530239

▼ Continued

Tech Help Line  
UK - **0845 194 7584**  
Non UK - **+44 (0)1952 238 100**

Supplied by  
BG Electrical Ltd  
Stafford Park 1 TF3 3BD ENGLAND

Visit our website at  
**www.luceco.co**

## Standards

EN 60598-1	Luminaires - General requirements
EN 60598-2-1	Luminaires - Fixed
EN 61347-1	Lamp controlgear - Part 1: General and safety requirements
EN 61347-2-13	Lamp controlgear - Part 2-13 : Particular requirements for d.c. or a.c. supplied electronic controlgear for LED modules
EN 55015	Limits and methods of measurement of radio disturbance characteristics of electrical lighting and similar equipment
EN 61547	Equipment for general lighting purposes - EMC immunity requirements

EN 61000-3-2	Electromagnetic compatibility (EMC) - Part 3-2: Limits - Limits for harmonic current emissions
EN 62471	Photobiological safety of lamps and lamp systems
2002/96/EC	Waste Electrical & Electronic Equipment (WEEE)
2011/65/EU	Restriction of the use of certain Hazardous Substances in EEE (RoHS)
(EC) No 1907/2006	The Registration, Evaluation, Authorisation and Restriction of Chemicals (REACH)

Tech Help Line

UK - **0845 194 7584**

Non UK - **+44 (0)1952 238 100**

Supplied by

BG Electrical Ltd

Stafford Park 1 TF3 3BD ENGLAND

Visit our website at

[www.luceco.co](http://www.luceco.co)