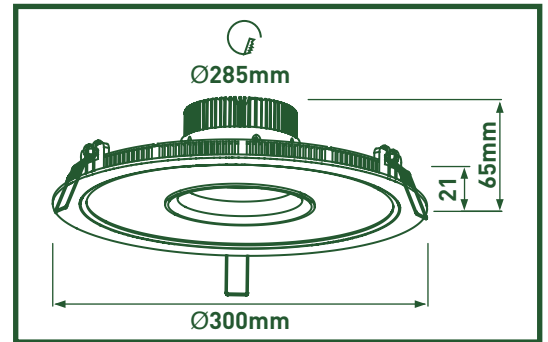


Commercial downlights

LKT7126 - recessed dual switched



3 years standard guarantee and 1 year onsite warranty available in the UK. Rest of the world may vary, please ask your local distributor for more information.



RoHS



- Fixed position
- Manufactured in aluminium
- Double insulated
- Optical diffuser panel
- Panel and spotlight can be used together or independently
- Separate driver required for each element
- Drivers required: Fixed output drivers = LDR35350, (panel) & LDR20350 (spotlight) Dimmable drivers = LDRDIM35350, (panel) & LDR15350 (spotlight)

[Click here for more information](#)

4000K
COOL
WHITE

CRI
>80

IP20
RATED

WHITE
FINISH

Panel
22W
LED

Spotlight
14W
LED

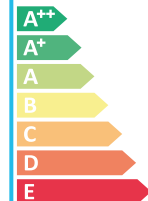
BEAM
ANGLE
111°

BEAM
ANGLE
37°

LUCECO



The luminaire contains built-in LED lamps.



A+

The lamps cannot be changed in the luminaire.

874/2012



| Cat No. | Wattage | Lumens | Efficacy lm/W | Voltage | Barcode |
|---------|---------|--------|---------------|---------|---------------|
| LKT7126 | 36W | 1800 | 50 | 230V | 5015056530062 |

| Standards | |
|---------------|---|
| EN 60598-1 | Luminaires - General requirements |
| EN 60598-2-2 | Luminaires - Recessed |
| EN 61347-1 | Lamp controlgear - Part 1: General and safety requirements |
| EN 61347-2-13 | Lamp controlgear - Part 2-13 : Particular requirements for d.c. or a.c. supplied electronic controlgear for LED modules |
| EN 55015 | Limits and methods of measurement of radio disturbance characteristics of electrical lighting and similar equipment |
| EN 61547 | Equipment for general lighting purposes - EMC immunity requirements |

| | |
|-------------------|--|
| EN 61000-3-2 | Electromagnetic compatibility (EMC) - Part 3-2: Limits - Limits for harmonic current emissions |
| EN 62471 | Photobiological safety of lamps and lamp systems |
| BS 476 PT 21 | 30, 60 & 90 Mins Fire rating |
| 2002/96/EC | Waste Electrical & Electronic Equipment (WEEE) |
| 2011/65/EU | Restriction of the use of certain Hazardous Substances in EEE (RoHS) |
| (EC) No 1907/2006 | The Registration, Evaluation, Authorisation and Restriction of Chemicals (REACH) |

Tech Help Line

UK - **0845 194 7584**

Non UK - **+44 (0)1952 238 100**

Supplied by

BG Electrical Ltd

Stafford Park 1 TF3 3BD ENGLAND

Visit our website at

www.luceco.co