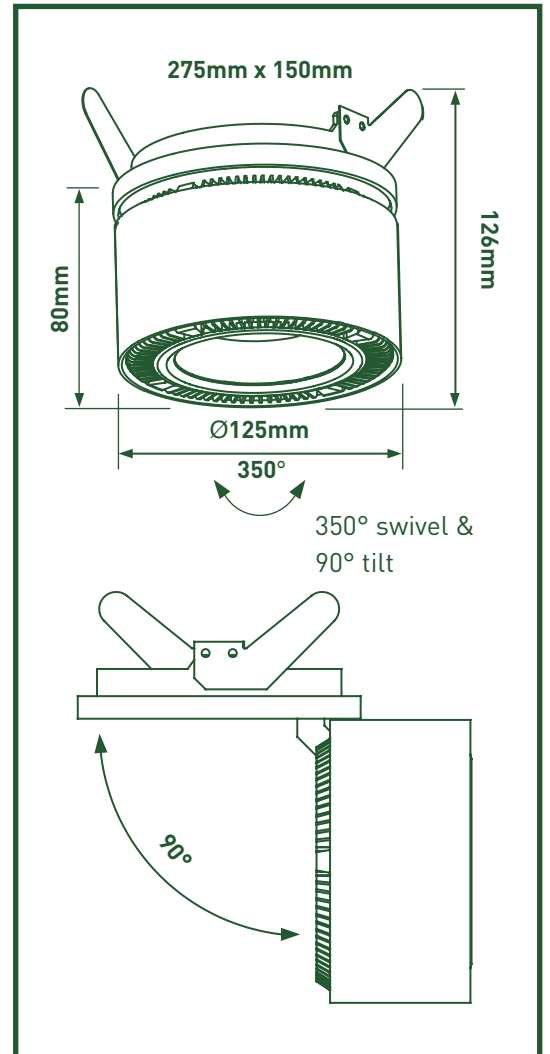


## Commercial downlights LKT6566 - semi recessed



- Gimbal - adjustable positioning
- Manufactured in aluminium
- Leaf clip installation
- Double insulated
- Driver required: Fixed output driver = LDR20500, Dimmable driver = LDRDIM15500

[Click here for more information](#)



**3 year**  
GUARANTEE

**1 year**  
on site  
WARRANTY

3 years standard guarantee and 1 year onsite warranty available in the UK. Rest of the world may vary, please ask your local distributor for more information.



Cat No.	Wattage	Lumens	Efficacy lm/W	Voltage	Barcode
LKT6566	15W	960	64	230V	5015056530017

▼ Continued

Tech Help Line  
 UK - **0845 194 7584**  
 Non UK - **+44 (0)1952 238 100**

Supplied by  
 BG Electrical Ltd  
 Stafford Park 1 TF3 3BD ENGLAND


Visit our website at  
[www.luceco.co](http://www.luceco.co)

## Standards

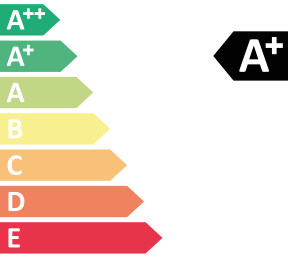
EN 60598-1	Luminaires - General requirements
EN 60598-2-2	Luminaires - Recessed
EN 61347-1	Lamp controlgear - Part 1: General and safety requirements
EN 61347-2-13	Lamp controlgear - Part 2-13 : Particular requirements for d.c. or a.c. supplied electronic controlgear for LED modules
EN 55015	Limits and methods of measurement of radio disturbance characteristics of electrical lighting and similar equipment
EN 61547	Equipment for general lighting purposes - EMC immunity requirements

EN 61000-3-2	Electromagnetic compatibility (EMC) - Part 3-2: Limits - Limits for harmonic current emissions
EN 62471	Photobiological safety of lamps and lamp systems
BS 476 PT 21	30, 60 & 90 Mins Fire rating
2002/96/EC	Waste Electrical & Electronic Equipment (WEEE)
2011/65/EU	Restriction of the use of certain Hazardous Substances in EEE (RoHS)
(EC) No 1907/2006	The Registration, Evaluation, Authorisation and Restriction of Chemicals (REACH)

## LUCECO



The luminaire contains built-in LED lamps.



The lamps cannot be changed in the luminaire.

874/2012
