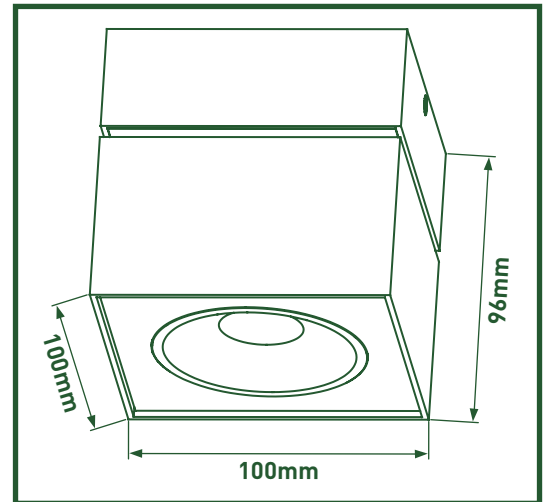


## Commercial downlights

### LKT2021B - surface adjustable



3 years standard guarantee and 1 year onsite warranty available in the UK. Rest of the world may vary, please ask your local distributor for more information.

- Allows tilt of up to 85°
- Manufactured in aluminium
- Gimbal - adjustable positioning
- Optimised thermal design allows for excellent heat dissipation
- Integral fixed output driver

[Click here for more information](#)



**LUCECO**

The luminaire contains built-in LED lamps.

**A++**  
**A+**  
**A**  
**B**  
**C**  
**D**  
**E**

**A+**

The lamps cannot be changed in the luminaire.

874/2012

Cat No.	Wattage	Lumens	Efficacy lm/W	Voltage	Barcode
LKT2021B	12W	1080	90	230V	5015056530192

Standards	
EN 60598-1	Luminaires - General requirements
EN 60598-2-2	Luminaires - Recessed
EN 61347-1	Lamp controlgear - Part 1: General and safety requirements
EN 61347-2-13	Lamp controlgear - Part 2-13 : Particular requirements for d.c. or a.c. supplied electronic controlgear for LED modules
EN 55015	Limits and methods of measurement of radio disturbance characteristics of electrical lighting and similar equipment
EN 61547	Equipment for general lighting purposes - EMC immunity requirements
EN 61000-3-2	Electromagnetic compatibility (EMC) - Part 3-2: Limits - Limits for harmonic current emissions
EN 62471	Photobiological safety of lamps and lamp systems
BS 476 PT 21	30, 60 & 90 Mins Fire rating
2002/96/EC	Waste Electrical & Electronic Equipment (WEEE)
2011/65/EU	Restriction of the use of certain Hazardous Substances in EEE (RoHS)
(EC) No 1907/2006	The Registration, Evaluation, Authorisation and Restriction of Chemicals (REACH)

Tech Help Line  
 UK - **0845 194 7584**  
 Non UK - **+44 (0)1952 238 100**

Supplied by  
 BG Electrical Ltd  
 Stafford Park 1 TF3 3BD ENGLAND

Visit our website at  
[www.luceco.co](http://www.luceco.co)