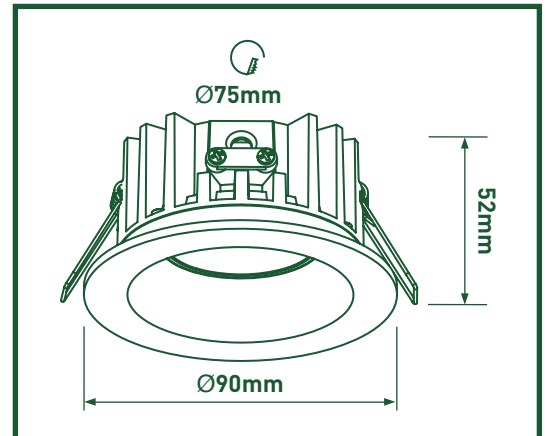


Recessed Downlights

LKT6594A - IP rated



- Fixed position
- Manufactured in aluminium
- Double insulated
- A ideal alternative to low voltage halogen 35W lamp or mains voltage halogen 50W lamp
- Driver required:
Fixed output driver = LDR10350
Dimmable driver = LDRDIM15350

LUCECO

The luminaire contains built-in LED lamps.

A++

A+ A+

A

B

C

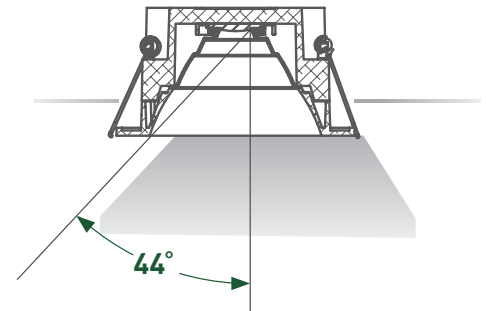
D

E

The lamps cannot be changed in the luminaire.

874/2012

Cut off angle



- low glare due to optimised design



3 years standard guarantee and 1 year onsite warranty available in the UK. Rest of the world may vary, please ask your local distributor for more information.



Limited ingress of dust permitted. Protected against water splashed from all directions.

[Click here for more information](#)

4000K
NEUTRAL
WHITE

BEAM
ANGLE
30°

CRI
>80

WHITE
FINISH

Cat No.	Voltage	Barcode
LKT6594A	230V	5015056530024



Standards

EN 60598-1	Luminaires - General requirements
EN 60598-2-2	Luminaires - Recessed
EN 61347-1	Lamp controlgear - Part 1: General and safety requirements
EN 61347-2-13	Lamp controlgear - Part 2-13 : Particular requirements for d.c. or a.c. supplied electronic controlgear for LED modules
EN 55015	Limits and methods of measurement of radio disturbance characteristics of electrical lighting and similar equipment
EN 61547	Equipment for general lighting purposes - EMC immunity requirements

EN 61000-3-2	Electromagnetic compatibility (EMC) - Part 3-2: Limits - Limits for harmonic current emissions
EN 62471	Photobiological safety of lamps and lamp systems
BS 476 PT 21	30, 60 & 90 Mins Fire rating
2002/96/EC	Waste Electrical & Electronic Equipment (WEEE)
2011/65/EU	Restriction of the use of certain Hazardous Substances in EEE (RoHS)
(EC) No 1907/2006	The Registration, Evaluation, Authorisation and Restriction of Chemicals (REACH)



RoHS



Tech Help Line

UK - **0845 194 7584**

Non UK - **+44 (0)1952 238 100**

Supplied by

BG Electrical Ltd

Stafford Park 1 TF3 3BD ENGLAND

Visit our website at

www.luceco.uk