

## LED High bay



- 120W and 200W LED offering 95 lm/W
- 60° or 120° beam angle reflector to be ordered separately
- Alternative to HID High bay luminaires of 250W-400W
- Recommended for mounting heights of 6m to 12m
- Instant light output and re-strike unlike most HID
- No exposed glass so ideal for food storage areas

[Click here for more information](#)

Body

Reflector

**BLACK  
FINISH**

**ALUMINIUM  
FINISH**

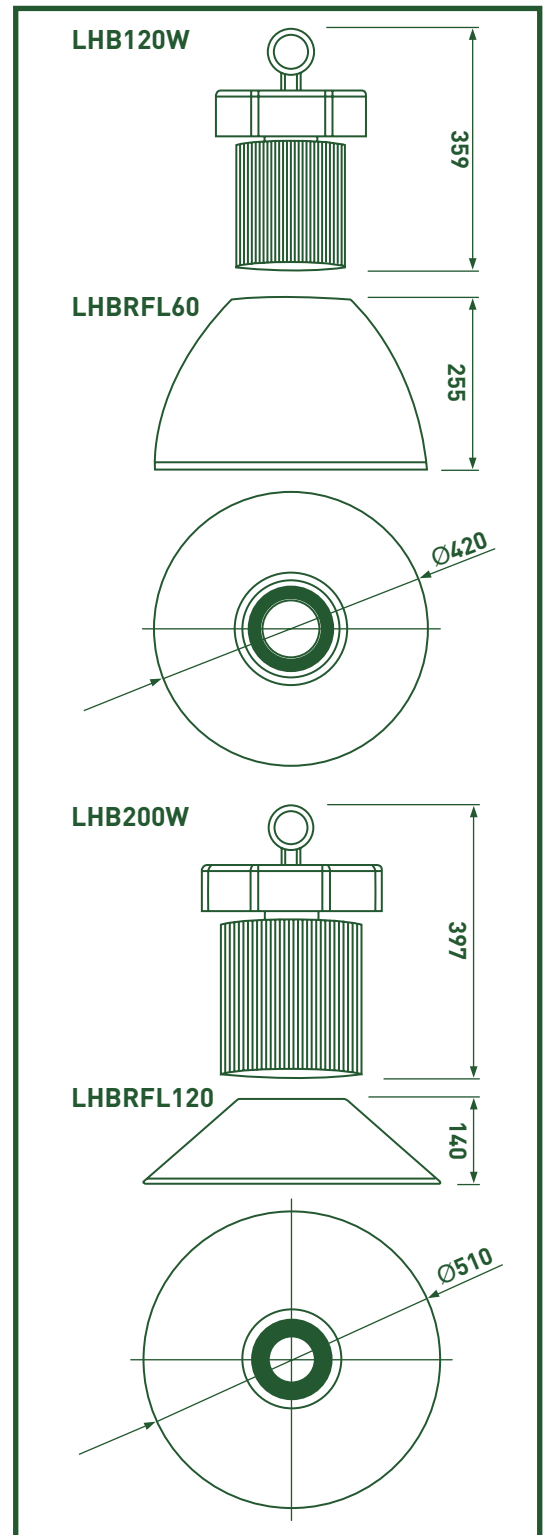


**CRI  
>80**

▼ Continued



3 years standard guarantee and 1 year onsite warranty available in the UK. Rest of the world may vary, please ask your local distributor for more information.



Protected against low pressure jets of water from all directions

Tech Help Line

UK - **0845 194 7584**

Non UK - **+44 (0)1952 238 100**

Supplied by

BG Electrical Ltd

Stafford Park 1 TF3 3BD ENGLAND

Visit our website at

**www.luceco.co**

Cat No.	Description	Lumens	Wattage	Efficacy lm/w	Voltage	Barcode
LHB120W	120W highbay body	11,400	120W	95	230V	5015056527734
LHB200W	200W highbay body	19,000	200W	95	230V	5015056527741
LHBRFL60	60° beam angle reflector	-	-	-	230V	5015056527765
LHBRFL120	120° beam angle reflector	-	-	-	230V	5015056527758



#### Standards

EN 60598-1	Luminaires - General requirements
EN 60598-2-1	Luminaires - Fixed
EN 61347-1	Lamp controlgear - Part 1: General and safety requirements
EN 61347-2-13	Lamp controlgear - Part 2-13 : Particular requirements for d.c. or a.c. supplied electronic controlgear for LED modules
EN 55015	Limits and methods of measurement of radio disturbance characteristics of electrical lighting and similar equipment
EN 61547	Equipment for general lighting purposes - EMC immunity requirements
EN 61000-3-2	Electromagnetic compatibility (EMC) - Part 3-2: Limits - Limits for harmonic current emissions
EN 62471	Photobiological safety of lamps and lamp systems
2002/96/EC	Waste Electrical & Electronic Equipment (WEEE)
2011/65/EU	Restriction of the use of certain Hazardous Substances in EEE (RoHS)
(EC) No 1907/2006	The Registration, Evaluation, Authorisation and Restriction of Chemicals (REACH)

## LUCECO

The luminaire contains built-in LED lamps.

The lamps cannot be changed in the luminaire.

874/2012

Tech Help Line  
 UK - **0845 194 7584**  
 Non UK - **+44 (0)1952 238 100**

Supplied by  
 BG Electrical Ltd  
 Stafford Park 1 TF3 3BD ENGLAND

Visit our website at  
[www.luceco.co](http://www.luceco.co)