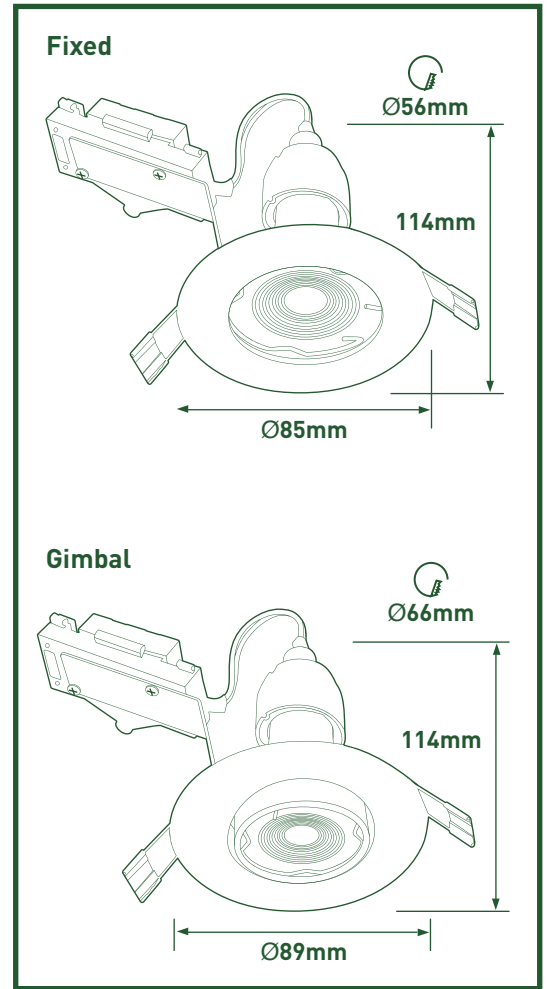
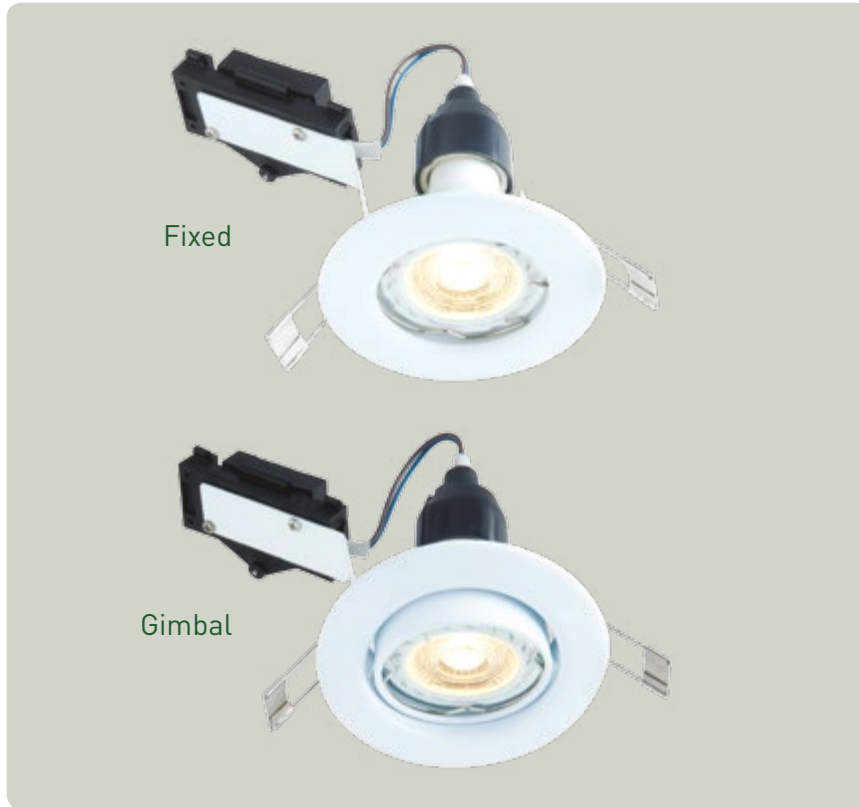


Commercial downlights recessed



- Lamp not supplied - choose from our range of LED Trufit lamps
- Fixed and Gimbal downlights for use with GU10 LED lamp
- Suitable retrofit for existing Halogen GU10

[Click here for more information](#)



3 year GUARANTEE ✓
3 years standard guarantee available in the UK. Rest of the world may vary, please ask your local distributor for more information.

CE RoHS

Cat No.	Description	Voltage	Barcode
DL1FWH	Fixed position with white bezel	230V	5015056532110
DL1FBS	Fixed position with brushed steel bezel	230V	5015056532127
DL1FPC	Fixed position with polished chrome bezel	230V	5015056532134
DL1GWH	Gimbal with white bezel	230V	5015056532141
DL1GBS	Gimbal with brushed steel bezel	230V	5015056532158
DL1GPC	Gimbal with polished chrome bezel	230V	5015056532165

▼ Continued

Tech Help Line
UK - **0845 194 7584**
Non UK - **+44 (0)1952 238 100**

Supplied by
BG Electrical Ltd
Stafford Park 1 TF3 3BD ENGLAND

Visit our website at
www.luceco.co

Standards

EN 60598-1	Luminaires - General requirements
EN 60598-2-2	Luminaires - Recessed
EN 61347-1	Lamp controlgear - Part 1: General and safety requirements
EN 61347-2-13	Lamp controlgear - Part 2-13 : Particular requirements for d.c. or a.c. supplied electronic controlgear for LED modules
EN 55015	Limits and methods of measurement of radio disturbance characteristics of electrical lighting and similar equipment
EN 61547	Equipment for general lighting purposes - EMC immunity requirements

EN 61000-3-2	Electromagnetic compatibility (EMC) - Part 3-2: Limits - Limits for harmonic current emissions
EN 62471	Photobiological safety of lamps and lamp systems
BS 476 PT 21	30, 60 & 90 Mins Fire rating
2002/96/EC	Waste Electrical & Electronic Equipment (WEEE)
2011/65/EU	Restriction of the use of certain Hazardous Substances in EEE (RoHS)
(EC) No 1907/2006	The Registration, Evaluation, Authorisation and Restriction of Chemicals (REACH)

LUCECO

The luminaire contains built-in LED lamps.

The lamps cannot be changed in the luminaire.

874/2012

Tech Help Line

UK - **0845 194 7584**

Non UK - **+44 (0)1952 238 100**

Supplied by

BG Electrical Ltd

Stafford Park 1 TF3 3BD ENGLAND

Visit our website at

www.luceco.co