

LED Emergency 3HR maintained exit box



- Materials: Steel body, polycarbonate opal panel with legend
- 3.6V 2Ah Ni-MH batteries
- Complete with white LED
- High brightness
- Emergency operation time 3hrs
- DC or AC/DC operated
- Can be also used as Non-Maintained
- Easy installation with replaceable exit panel
- Latest ISO 7010 format legend
- Viewing distance = 35.4m

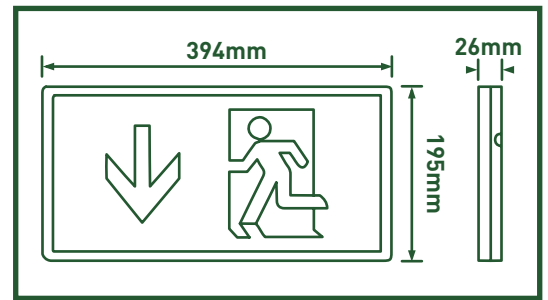
[Click here for more information](#)

Cat. No	Description	Voltage	Barcode
LEMEXM3	Standard with Arrow Down Legend	230V	5015056531601
LEMEXUA	Arrow UP Legend Panel (order with LEMEXM3)	-	5015056531618
LEMEXLA	Arrow LEFT Legend Panel (order with LEMEXM3)	-	5015056531625
LEMEXRA	Arrow RIGHT Legend Panel (order with LEMEXM3)	-	5015056531632

▼ Continued

Standards

EN 60598-1	Luminaires - General requirements
EN 60598-2-1	Luminaires - Fixed
EN 60598-2-22	Luminaires -Emergency
EN 61347-1	Lamp controlgear - Part 1: General and safety requirements
EN 61347-2-7	Lamp controlgear - Particular requirements for battery supplied electronic controlgear for emergency lighting
EN 61347-2-13	Lamp controlgear - Part 2-13 : Particular requirements for d.c. or a.c. supplied electronic controlgear for LED modules
EN 55015	Limits and methods of measurement of radio disturbance characteristics of electrical lighting and similar equipment

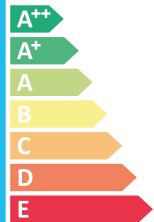


3 years standard guarantee and 1 year onsite warranty available in the UK. Rest of the world may vary, please ask your local distributor for more information.

LUCECO



The luminaire contains built-in LED lamps.



A+

The lamps cannot be changed in the luminaire.

874/2012



RoHS



EN 61547	Equipment for general lighting purposes - EMC immunity requirements
EN 61000-3-2	Electromagnetic compatibility (EMC) - Part 3-2: Limits - Limits for harmonic current emissions
EN 62471	Photobiological safety of lamps and lamp systems
2002/96/EC	Waste Electrical & Electronic Equipment (WEEE)
2011/65/EU	Restriction of the use of certain Hazardous Substances in EEE (RoHS)
(EC) No 1907/2006	The Registration, Evaluation, Authorisation and Restriction of Chemicals (REACH)

Tech Help Line
UK - **0845 194 7584**
Non UK - **+44 (0)1952 238 100**

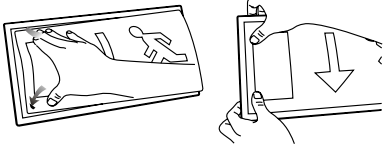
Supplied by
BG Electrical Ltd
Stafford Park 1 TF3 3BD ENGLAND

Visit our website at

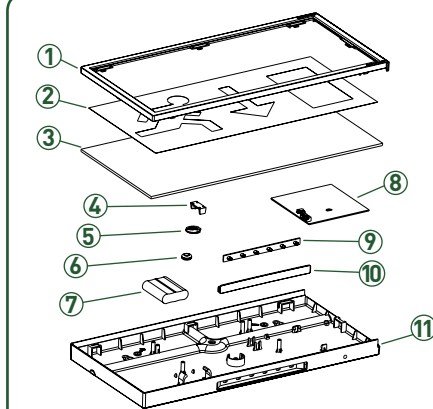
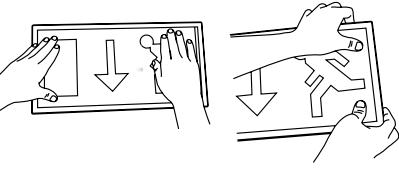
www.luceco.co

Assemble the green exit sign panel

- ① Press the corner on the left of the panel into the slot.
- ② Press the exit sign to the end of left.



- ③ Press the up and down sides into the slot.
- ④ Right move the panel to be in the middle.



Exploded view

1. Cover
2. Legend
3. Light guide plate
4. Holder 1 of power line
5. Holder 2 of power line
6. Rubber ring
7. Battery
8. Main PCB
9. LED PCB
10. Translucent panel
11. Bottom case

Tech Help Line

UK - **0845 194 7584**

Non UK - **+44 (0)1952 238 100**

Supplied by

BG Electrical Ltd

Stafford Park 1 TF3 3BD ENGLAND

Visit our website at

www.luceco.co