

LED Commercial Floodlights



- Alternative to HID floodlights up to 400 watts
- Maintenance free
- Durable powder coated aluminium coating (RAL7026)
- Supplied with pre-wired rubber insulated cable (2.0m)

[Click here for more information](#)

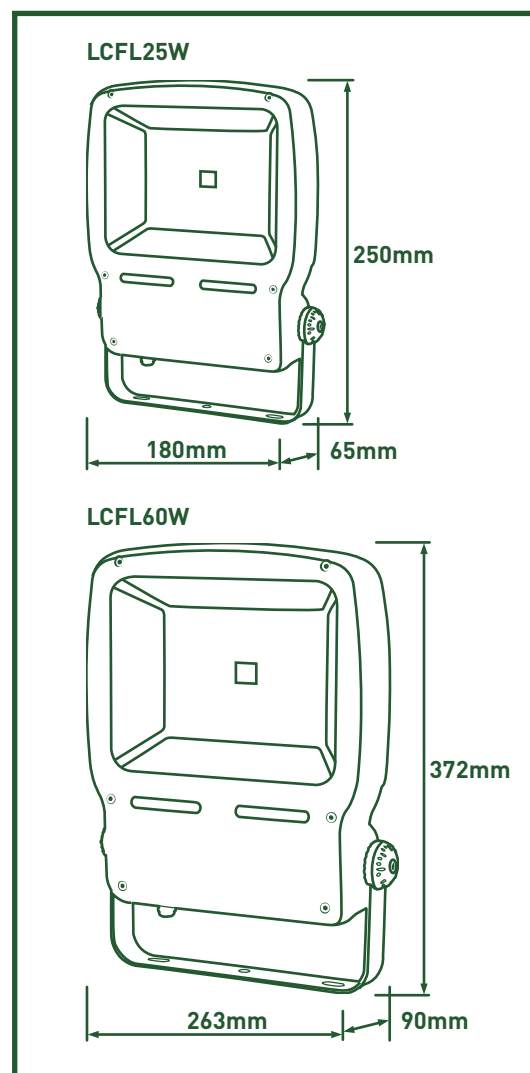
4200K
COOL
WHITE

50,000
HOURS

BEAM
ANGLE
120°

CRI
>80

Cat. No	Lumens	Wattage	Efficacy lm/W	Voltage	Barcode
LCFL25W	2100	25W	84	230V	5015056531564
LCFL60W	4200	60W	70	230V	5015056531571
LCFL120W	8000	120W	67	230V	5015056531588
LCFL200W	14000	200W	70	230V	5015056531595



▼ Continued

3 year
standard
GUARANTEE

1 year
on site
WARRANTY

3 years standard guarantee and 1 year onsite warranty available in the UK. Rest of the world may vary, please ask your local distributor for more information.

IP65
RATED

No ingress of dust. Protected against low pressure jets of water from all directions.

CE
RoHS

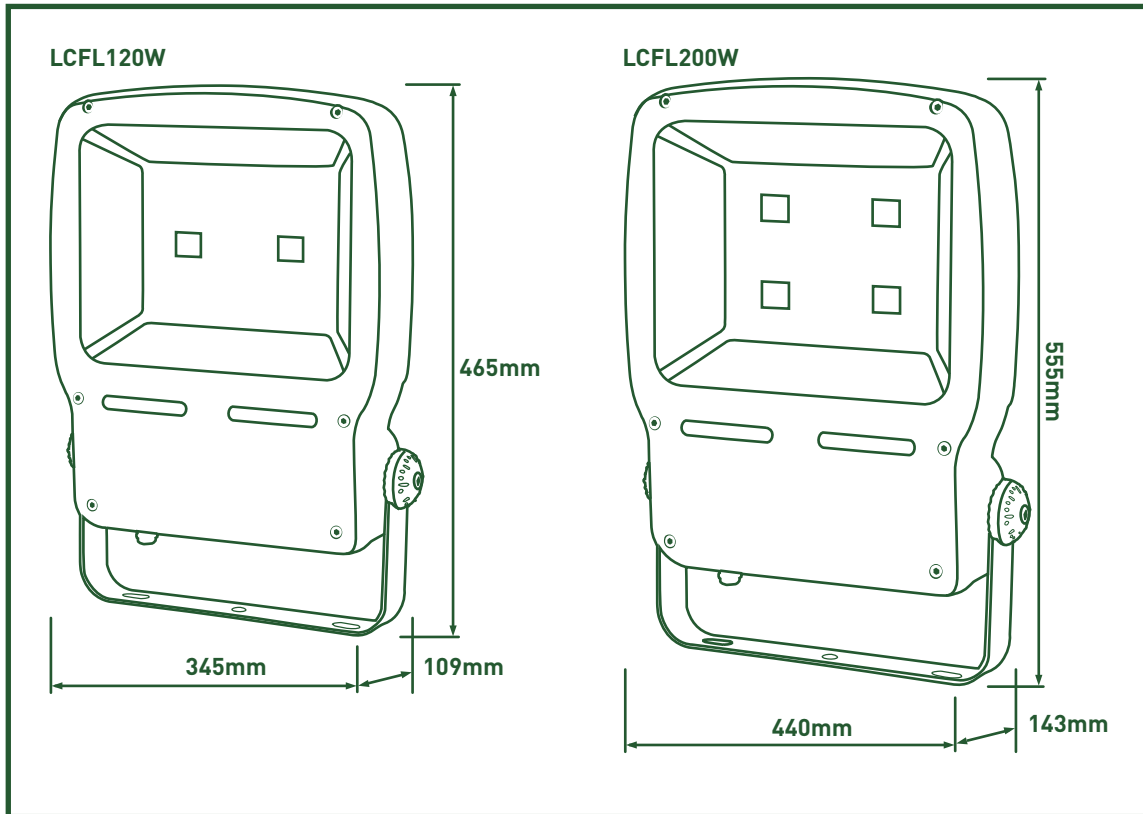
Standards	
EN 60598-1	Luminaires - General requirements
EN 60598-2-5	Luminaires - Floodlights
EN 61347-1	Lamp controlgear - Part 1: General and safety requirements
EN 61347-2-13	Lamp controlgear - Part 2-13 : Particular requirements for d.c. or a.c. supplied electronic controlgear for LED modules
EN 55015	Limits and methods of measurement of radio disturbance characteristics of electrical lighting and similar equipment
EN 61547	Equipment for general lighting purposes - EMC immunity requirements

EN 61000-3-2	Electromagnetic compatibility (EMC) - Part 3-2: Limits - Limits for harmonic current emissions
EN 62471	Photobiological safety of lamps and lamp systems
2002/96/EC	Waste Electrical & Electronic Equipment (WEEE)
2002/95/EC	Restriction of the use of certain Hazardous Substances in EEE (RoHS)
(EC) No 1907/2006	The Registration, Evaluation, Authorisation and Restriction of Chemicals (REACH)

Tech Help Line
 UK - **0845 194 7584**
 Non UK - **+44 (0)1952 238 100**

Supplied by
 BG Electrical Ltd
 Stafford Park 1 TF3 3BD ENGLAND

Visit our website at
www.luceco.co



LUCECO

The luminaire contains built-in LED lamps.

A++
A+
A
B
C
D
E

A+

The lamps cannot be changed in the luminaire.

874/2012

Tech Help Line
UK - **0845 194 7584**
Non UK - **+44 (0)1952 238 100**

Supplied by
BG Electrical Ltd
Stafford Park 1 TF3 3BD ENGLAND

Visit our website at
www.luceco.co