

## LED IP65 LuxPanel Ø240mm



- Remote “plug and play” style driver, supplied in standard, dimmable or emergency options
- Maintenance free panel
- Epistar LED and Tridonic Driver
- Edgelit White Frame

[Click here for more information](#)

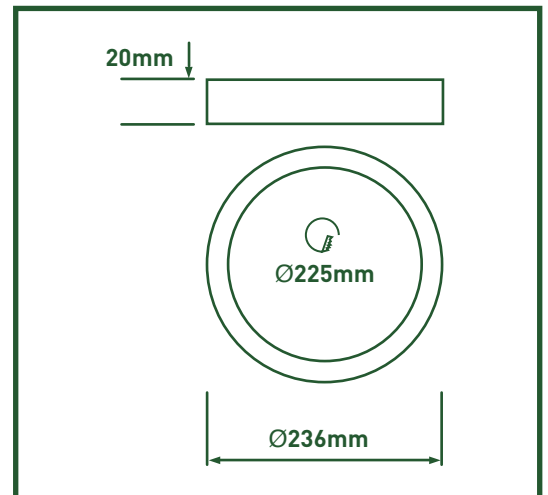


**LUCECO**

The luminaire contains built-in LED lamps.

The lamps cannot be changed in the luminaire.

874/2012



**5 year**  
extended  
GUARANTEE

**1 year**  
on site  
WARRANTY

5 years extended (3 years standard) guarantee and 1 year onsite warranty available in the UK. Rest of the world may vary, please ask your local distributor for more information.

**4800K**  
NEUTRAL  
WHITE

(6000k available colour temperature, subject to minimum order requirements)

**IP65**  
RATED

No ingress of dust. Protected against low pressure jets of water from all directions.

Cat No.	Description	Voltage	Barcode
LPIP240WS48	Standard driver	230V	5015056527475
LPIP240WD48	Dimmable driver	230V	5015056527499
LED3EP80	Emergency pack	-	5015056532240

- Driver current = 350mA

**1350**  
LUMINAIRE  
LUMENS

**18W**  
LED

**75**  
Llm/W

Standards	
EN 60598-1	Luminaires - General requirements
EN 60598-2-2	Luminaires - Recessed
EN 61347-1	Lamp controlgear - Part 1: General and safety requirements
EN 61347-2-13	Lamp controlgear - Part 2-13 : Particular requirements for d.c. or a.c. supplied electronic controlgear for LED modules
EN 55015	Limits and methods of measurement of radio disturbance characteristics of electrical lighting and similar equipment
EN 61547	Equipment for general lighting purposes - EMC immunity requirements
EN 61000-3-2	Electromagnetic compatibility (EMC) - Part 3-2: Limits - Limits for harmonic current emissions
EN 62471	Photobiological safety of lamps and lamp systems
2002/96/EC	Waste Electrical & Electronic Equipment (WEEE)
2011/65/EU	Restriction of the use of certain Hazardous Substances in EEE (RoHS)
(EC) No 1907/2006	The Registration, Evaluation, Authorisation and Restriction of Chemicals (REACH)

Tech Help Line  
UK - **0845 194 7584**  
Non UK - **+44 (0)1952 238 100**

Supplied by  
BG Electrical Ltd  
Stafford Park 1 TF3 3BD ENGLAND

Visit our website at  
**www.luceco.uk**