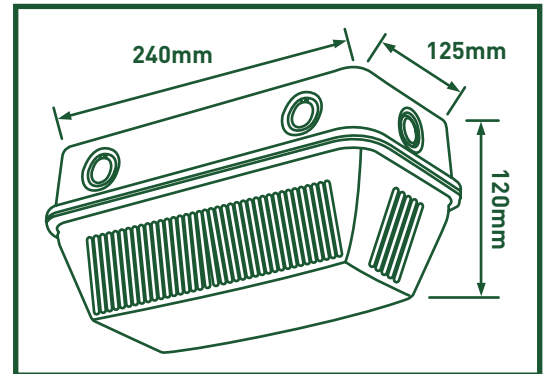


LED bulkhead with polycarbonate lens



3 year guarantee available in the UK. Rest of the world may vary, please ask your local distributor for more information.



No ingress of dust. Protected against low pressure jets of water from all directions.

- Manufactured to BS EN 60598-1
- 20mm guide entries for cable or conduit access
- 20mm guide and fixing centres for BESA box fixing
- Supplied with Classic LED lamp
- Available with clear or red lens

[Click here for more information](#)

3000K
WARM
WHITE

| Cat No. | Description | Voltage | Barcode |
|---------|-------------|---------|---------------|
| LBHD1 | Clear lens | 230V | 5015056531533 |
| LBHD1R | Red lens | 230V | 5015056531540 |



RoHS



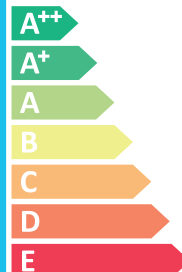
Standards

| | |
|-------------------|--|
| EN 60598-1 | Luminaires - General requirements |
| EN 60598-2-1 | Luminaires - Fixed |
| 2002/96/EC | Waste Electrical & Electronic Equipment (WEEE) |
| 2011/65/EU | Restriction of the use of certain Hazardous Substances in EEE (RoHS) |
| (EC) No 1907/2006 | The Registration, Evaluation, Authorisation and Restriction of Chemicals (REACH) |

LUCECO



This luminaire contains built-in LED lamps and has sockets for bulbs of the energy classes:



A+

The luminaire is sold with a bulb of the energy class: **A+**

874/2012



Tech Help Line

UK - **0845 194 7584**

Non UK - **+44 (0)1952 238 100**

Supplied by

BG Electrical Ltd

Stafford Park 1 TF3 3BD ENGLAND

Visit our website at

www.luceco.uk