

LED bulkhead

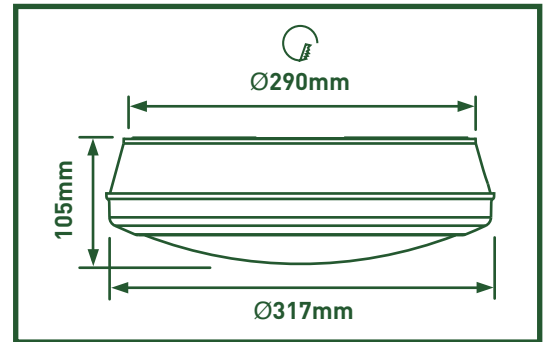


- Alternative to 28watt TC-DD (2D) compact fluorescent
- Multiple mounting options include, ceiling surface, ceiling semi-recessed, wall mounted and provision for BESA and four side conduit entries
- Microwave presence detector switches the output to 10% in "corridor function" standby mode
- Microwave version includes photocell for dusk-till-dawn switching option
- Double insulated
- Integral driver

[Click here for more information](#)



Cat. No	Description	Voltage	Barcode
LBH154K	Standard	230V	5015056531083
LBH154K3M	w/ 3hr Emergency	230V	5015056531090
LBH154KMW	w/ Microwave sensor	230V	5015056531106
LBH154KMW3M	w/ Microwave sensor & 3hr Emergency	230V	5015056531113



3 years standard guarantee and 1 year onsite warranty available in the UK. Rest of the world may vary, please ask your local distributor for more information.

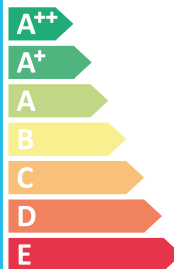


No ingress of dust. Protected against low pressure jets of water from all directions.

LUCECO



The luminaire contains built-in LED lamps.



The lamps cannot be changed in the luminaire.

874/2012



▼ Continued



Standards

EN 60598-1	Luminaires - General requirements
EN 60598-2-1	Luminaires - Fixed
EN 61347-1	Lamp controlgear - Part 1: General and safety requirements
EN 61347-2-13	Lamp controlgear - Part 2-13 : Particular requirements for d.c. or a.c. supplied electronic controlgear for LED modules
EN 55015	Limits and methods of measurement of radio disturbance characteristics of electrical lighting and similar equipment
EN 61547	Equipment for general lighting purposes - EMC immunity requirements

EN 61000-3-2	Electromagnetic compatibility (EMC) - Part 3-2: Limits - Limits for harmonic current emissions
EN 62471	Photobiological safety of lamps and lamp systems
2002/96/EC	Waste Electrical & Electronic Equipment (WEEE)
2011/65/EU	Restriction of the use of certain Hazardous Substances in EEE (RoHS)
(EC) No 1907/2006	The Registration, Evaluation, Authorisation and Restriction of Chemicals (REACH)

Tech Help Line

UK - **0845 194 7584**

Non UK - **+44 (0)1952 238 100**

Supplied by

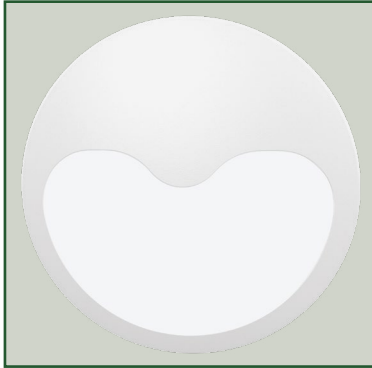
BG Electrical Ltd

Stafford Park 1 TF3 3BD ENGLAND

Visit our website at

www.luceco.co

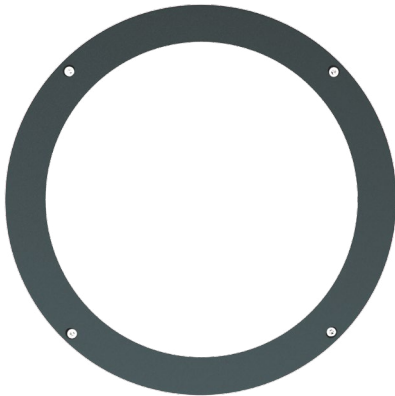
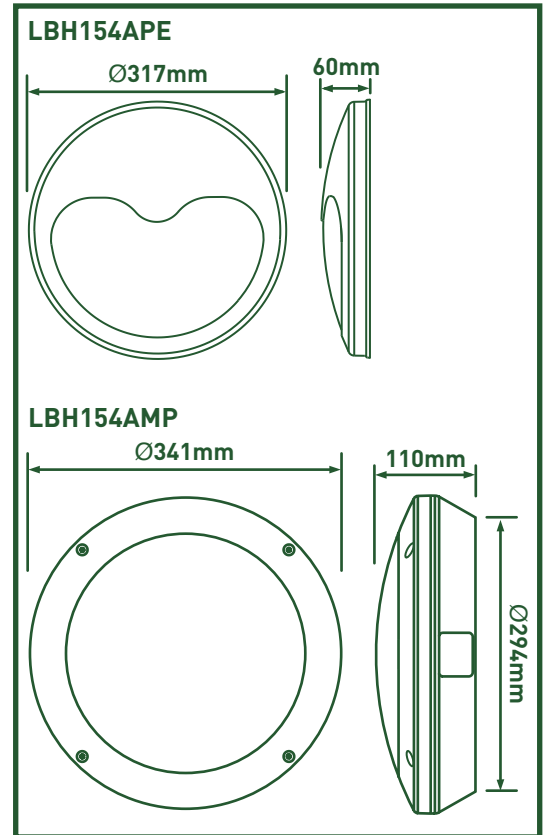
bulkhead accessories



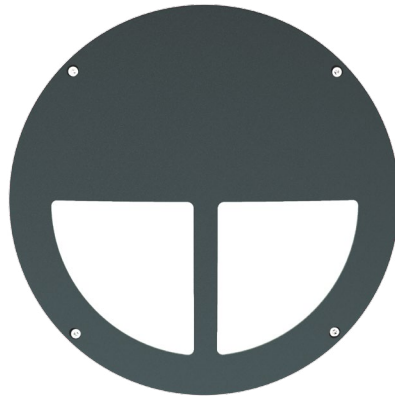
LBH154APE
Plastic eyelid cover

Suitable for use with **LBH154K, LBH154K3M, LBH154KMW, LBH154KMW3M**
Replaces standard cover.

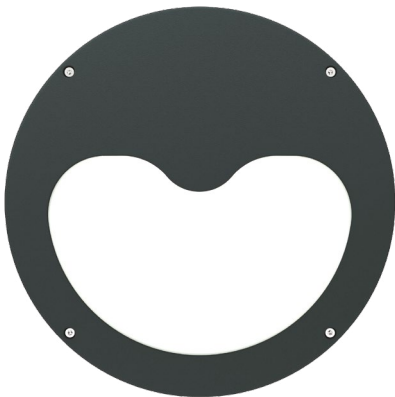
Cat. No	Description	Barcode
LBH154APE	Plastic eyelid	5015056531120



LBH154AMP - Metal standard



LBH154AMS - Metal split eyelid



LBH154AME - Metal eyelid



LBH154AMG - Metal grille

- For use with the bulkhead (order bulkhead separately)
- Comes with front and back covers and tamper proof screws
- All die-cast aluminium accessories are finished in RAL7026 'Graphite Grey'
- Access to rear BESA and all four side entry points

[Click here for more information](#)

Cat. No	Description	Barcode
LBH154AMP	Metal standard	5015056531137
LBH154AMS	Metal split eyelid	5015056531144
LBH154AME	Metal eyelid	5015056531151
LBH154AMG	Metal grille	5015056531168

Tech Help Line
UK - **0845 194 7584**
Non UK - **+44 (0)1952 238 100**

Supplied by
BG Electrical Ltd
Stafford Park 1 TF3 3BD ENGLAND

Visit our website at
www.luceco.co