

LED LuxPanel 300mm x 300mm



- Ideal alternative to most fluorescent luminaires
- Remote "plug and play" style driver
- Maintenance free - up to 60% cost of ownership savings
- Typical energy savings in excess of 50% compared to fluorescent
- Epistar LED and Tridonic Driver

[Click here for more information](#)



4800K	Description - White	Voltage	Barcode
LP30W8S48	Standard driver	230V	5015056527130
LP30W8E48	3hr Emergency driver	230V	5015056527147
LP30W8D48	Dimmable driver	230V	5015056527154
LP30W8ED48	3hr Emergency dimmable	230V	5015056527161

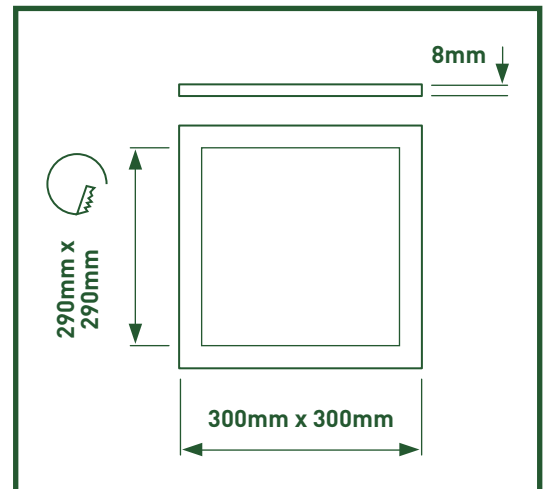
- Driver current = 700mA

4800K	Description - Silver	Voltage	Barcode
LP30S8S48	Standard driver	230V	5015056532035
LP30S8E48	3hr Emergency driver	230V	5015056532042
LP30S8D48	Dimmable driver	230V	5015056532059
LP30S8ED48	3hr Emergency dimmable	230V	5015056532066

- Driver current = 700mA

6000K	Description - White	Voltage	Barcode
LP612W50S60	Standard driver	230V	5015056531991
LP612W50E60	3hr Emergency driver	230V	5015056532004
LP612W50D60	Dimmable driver	230V	5015056532011
LP612W50ED60	3hr Emergency dimmable	230V	5015056532028

- Driver current = 700mA



5 years extended (3 years standard) guarantee and 1 year onsite warranty available in the UK. Rest of the world may vary, please ask your local distributor for more information.



Available in 2 colour temperatures



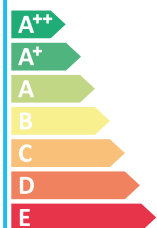
RoHS



LUCECO



The luminaire contains built-in LED lamps.



A+

The lamps cannot be changed in the luminaire.

874/2012



▼ Continued

Tech Help Line
UK - **0845 194 7584**
Non UK - **+44 (0)1952 238 100**

Supplied by
BG Electrical Ltd
Stafford Park 1 TF3 3BD ENGLAND

Visit our website at
www.luceco.co

6000K	Description - Silver	Voltage	Barcode
LP30S8S60	Standard driver	230V	5015056532073
LP30S8E60	3hr Emergency driver	230V	5015056532080
LP30S8D60	Dimmable driver	230V	5015056532097
LP30S8ED60	3hr Emergency dimmable	230V	5015056532103

- Driver current = 700mA

Standards

EN 60598-1	Luminaires - General requirements	EN 61000-3-2	Electromagnetic compatibility (EMC) - Part 3-2: Limits - Limits for harmonic current emissions
EN 60598-2-2	Luminaires - Recessed	EN 62471	Photobiological safety of lamps and lamp systems
EN 61347-1	Lamp controlgear - Part 1: General and safety requirements	2002/96/EC	Waste Electrical & Electronic Equipment (WEEE)
EN 61347-2-13	Lamp controlgear - Part 2-13 : Particular requirements for d.c. or a.c. supplied electronic controlgear for LED modules	2011/65/EU	Restriction of the use of certain Hazardous Substances in EEE (RoHS)
EN 55015	Limits and methods of measurement of radio disturbance characteristics of electrical lighting and similar equipment	(EC) No 1907/2006	The Registration, Evaluation, Authorisation and Restriction of Chemicals (REACH)
EN 61547	Equipment for general lighting purposes - EMC immunity requirements		

Tech Help Line

UK - **0845 194 7584**

Non UK - **+44 (0)1952 238 100**

Supplied by

BG Electrical Ltd

Stafford Park 1 TF3 3BD ENGLAND

Visit our website at

www.luceco.co