

LED LuxPanel 200mm x 200mm



- Ideal alternative to most fluorescent luminaires
- Remote "plug and play" style driver
- Maintenance free - up to 60% cost of ownership savings
- Typical energy savings in excess of 50% compared to fluorescent
- Epistar LED and Tridonic Driver

[Click here for more information](#)



4800K	Description - White	Voltage	Barcode
LP22W12S48	Standard driver	230V	5015056527093
LP22W12E48	3hr Emergency driver	230V	5015056527109
LP22W12D48	Dimmable driver	230V	5015056527116
LP22W12ED48	3hr Emergency dimmable	230V	5015056527123

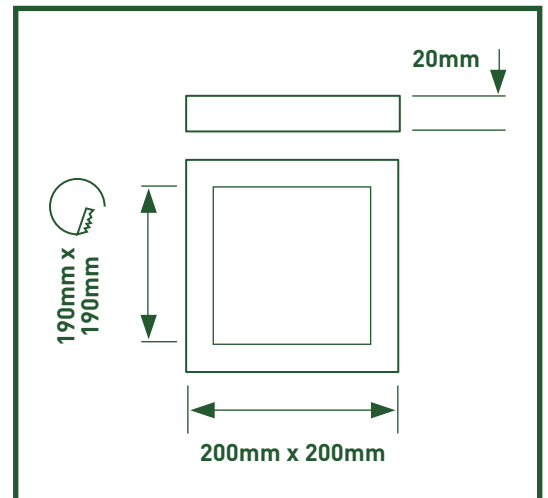
• Driver current = 350mA

4800K	Description - Silver	Voltage	Barcode
LP612W50S60	Standard driver	230V	5015056531915
LP612W50E60	3hr Emergency driver	230V	5015056531922
LP612W50D60	Dimmable driver	230V	5015056531939
LP612W50ED60	3hr Emergency dimmable	230V	5015056531946

• Driver current = 350mA

6000K	Description - White	Voltage	Barcode
LP22W12S60	Standard driver	230V	5015056531878
LP22W12E60	3hr Emergency driver	230V	5015056531885
LP22W12D60	Dimmable driver	230V	5015056531892
LP22W12ED60	3hr Emergency dimmable	230V	5015056531908

• Driver current = 350mA



5 years extended (3 years standard) guarantee and 1 year onsite warranty available in the UK. Rest of the world may vary, please ask your local distributor for more information.



Available in 2 colour temperatures



LUCECO

The luminaire contains built-in LED lamps.

A++
A+
A
B
C
D
E

A+

The lamps cannot be changed in the luminaire.

874/2012

▼ Continued

Tech Help Line
UK - **0845 194 7584**
Non UK - **+44 (0)1952 238 100**

Supplied by
BG Electrical Ltd
Stafford Park 1 TF3 3BD ENGLAND

Visit our website at
www.luceco.co

6000K	Description - Silver	Voltage	Barcode
LP612W50S60	Standard driver	230V	5015056531953
LP612W50E60	3hr Emergency driver	230V	5015056531960
LP612W50D60	Dimmable driver	230V	5015056531977
LP612W50ED60	3hr Emergency dimmable	230V	5015056531984

- Driver current = 350mA

Standards

EN 60598-1	Luminaires - General requirements
EN 60598-2-2	Luminaires - Recessed
EN 61347-1	Lamp controlgear - Part 1: General and safety requirements
EN 61347-2-13	Lamp controlgear - Part 2-13 : Particular requirements for d.c. or a.c. supplied electronic controlgear for LED modules
EN 55015	Limits and methods of measurement of radio disturbance characteristics of electrical lighting and similar equipment
EN 61547	Equipment for general lighting purposes - EMC immunity requirements

EN 61000-3-2	Electromagnetic compatibility (EMC) - Part 3-2: Limits - Limits for harmonic current emissions
EN 62471	Photobiological safety of lamps and lamp systems
2002/96/EC	Waste Electrical & Electronic Equipment (WEEE)
2011/65/EU	Restriction of the use of certain Hazardous Substances in EEE (RoHS)
(EC) No 1907/2006	The Registration, Evaluation, Authorisation and Restriction of Chemicals (REACH)

Tech Help Line

UK - **0845 194 7584**

Non UK - **+44 (0)1952 238 100**

Supplied by

BG Electrical Ltd

Stafford Park 1 TF3 3BD ENGLAND

Visit our website at

www.luceco.co