



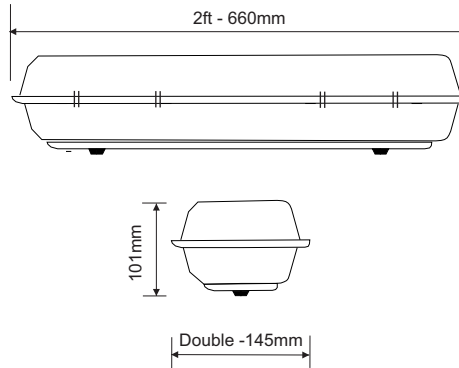
REEFLITE

THE LIGHTING TECHNOLOGY PROFESSIONALS

MANUFACTURERS OF: Commercial , Industrial , Residential lighting solutions.

2FT DOUBLE LED MOISTURE PROOF

RFM218MB/SPECIAL



- * GRP base & Polycarbonate diffuser.
- * Robust polyamide retainer clips.
- * T8 LED tubes to be fitted, ideal replacement for linear fluorescent.
- * Removable powder coated gear plate.

Applications

Industrial environments.
Corridors & passages.
Moisture/corrosive environments.
Dusty environments.
Cold rooms.
Canopies.

IP66

IN A NEW LIGHT

36 Fransen Street Chamdor Krugersdorp
Tel: +27 11 769-1574 - Website: www.reeflite.com

INDUSTRIAL - COMMERCIAL AND DOMESTIC LUMINAIRIES

PRODUCED
IN
SOUTH AFRICA